

Little GIANT Pump Company

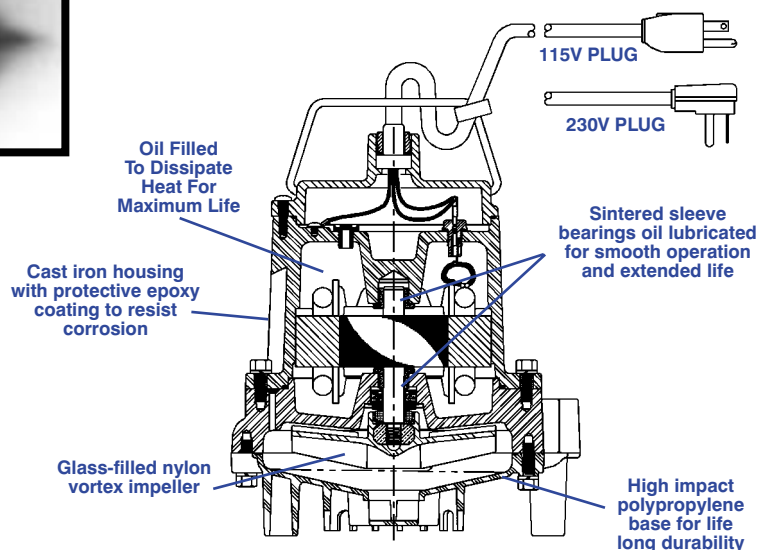
Eliminator Series
Sump/Effluent Pumps

6E-CIM SUMP/EFFLUENT PUMP



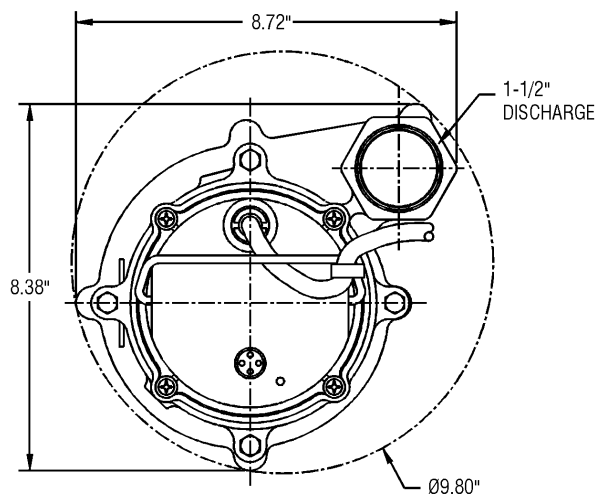
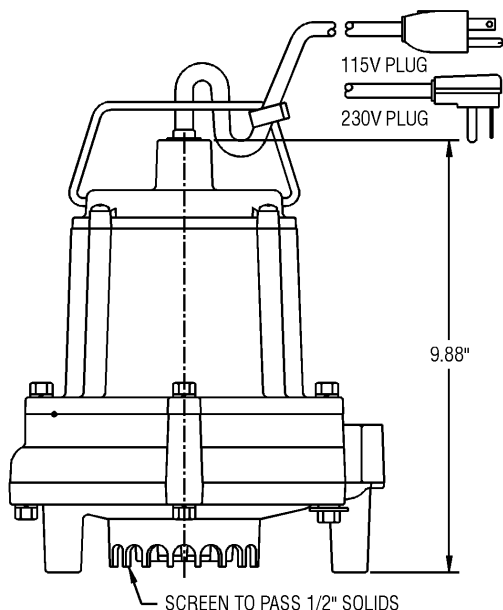
Features

- Handles liquid and solid waste materials up to 1/2" diameter
- Cast iron pump housing with protective epoxy coating for corrosion resistance
- Oil-filled motor housing for lifetime lubrication and rapid heat dissipation
- 1/3 hp Shaded Pole Motor
- Stainless steel screws, bolts and handle
- Mechanical seals (stainless steel spring, nitrile parts, carbon and ceramic faces)
- Bearings: upper and lower sintered sleeve bearings
- Thermal overload protection for extended motor life
- Manual and Automatic models
- Automatic operation has 7"-10" "On" level range and 2"-5" "Off" level range
- Piggyback Mechanical Float Switch
- All 115 volt models are UL Listed



Little Giant Pump Co.

6E-CIM SUMP/EFFLUENT PUMP



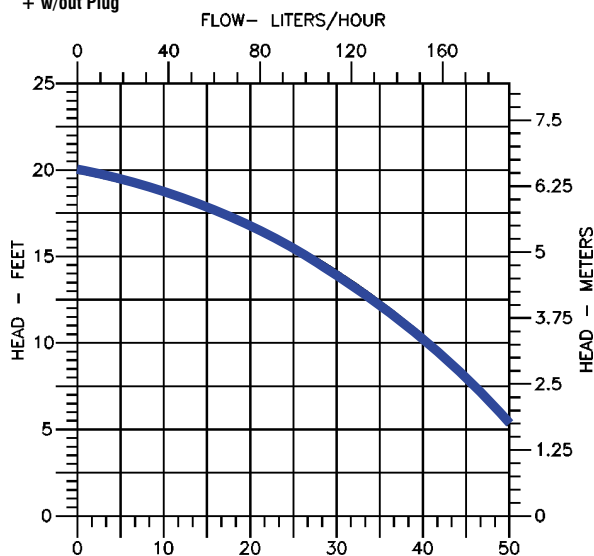
Specifications

MODEL NO.	ITEM NO.	LISTING	HP	VOLTS	SOLIDS (DIA.)	RUNNING AMPS/WATTS	PERFORMANCE (GPM @ HEAD)			SHUTOFF (FT.)	P.S.I.	PWR CORD (FT.)	WEIGHT (LBS)	DIMENSIONS (H x L x W in.)
							5'	10'	15'					
6E-CIM	506500	N/A	1/3	127	1/2"	10/750	54	44	31	20	8.7	25	28	9.9 x 8.8 x 8.5
6E-CIM	506735	CSA	1/3	230*	1/2"	4.8/890	50	42	27	20	8.7	25+	28	9.9 x 8.8 x 8.5
6E-CIM	506775	UL/CSA	1/3	115	1/2"	10/750	50	42	27	20	8.7	25	28	9.9 x 8.8 x 8.5
6E-CIM	506711	UL/CSA	1/3	115	1/2"	10/750	50	42	27	20	8.7	25	28	9.9 x 8.8 x 8.5
6E-CIM	506730	UL/CSA	1/3	230*	1/2"	4.8/890	50	42	27	20	8.7	15	28	9.9 x 8.8 x 8.5
6E-CIM	506710	UL/CSA	1/3	115	1/2"	10/750	50	42	27	20	8.7	10	27	9.9 x 8.8 x 8.5
6E-CIM-RFSN	506740	UL/CSA	1/3	115	1/2"	10/750	50	42	27	20	8.7	10	27	9.9 x 8.8 x 8.5

*50/60 HZ. Performance Data Based on 60 Hz. CIM - Manual

RFSN - Piggy Back Mechanical Float Switch

+ w/out Plug



Construction

Cover	Polycarbonate
Motor Housing	Epoxy Coated Cast Iron
Impeller Material	Nylon
Impeller Type	Vortex
Volute	Epoxy Coated Cast Iron
Power Cord	SJTW-A
Mechanical Shaft Seal	Nitrile with carbon and ceramic faces
Fasteners	Stainless Steel
Shaft	Cold Rolled Steel
Bearings	Upper and lower sintered sleeve bearings

For technical advice or service please take your pump into your local pump service center.
To order pump or parts or for pricing please go to the following links :

[Little Giant Pumps Home >>](#)

[Little Giant Pumps stock list >>](#)