

Little GIANT[®]

Pump Company

OPWG-29/46



Features

- Thermally protected, enclosed, fan cooled, permanent split capacitor motor
- 2" FNPT Intake and 1-½" FNPT discharge ports
- Motors are enclosed for excellent protection and weather resistance
- Low power consumption
- For larger systems, plumb two or more units in parallel to economically multiply the flow

Construction

- Volute — Glass-Filled Polypropylene
- Volute Cover — Glass-Filled Polypropylene
- Impeller — Glass-Filled Noryl[®]
- Shaft Seal — Carbon/Ceramic

Cost Saving Efficiency

The Little Giant Professional Series of Pumps produce a maximum flow rate with minimal electrical consumption. The dollars saved from reduced operating costs can pay for the pump in a matter of months.

Safety

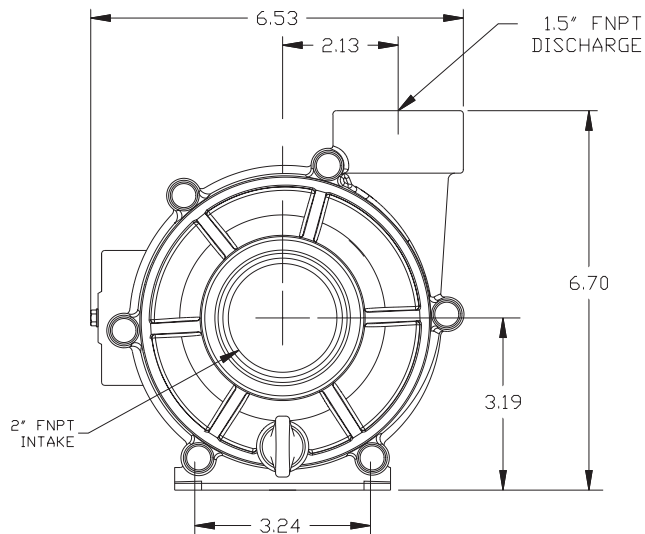
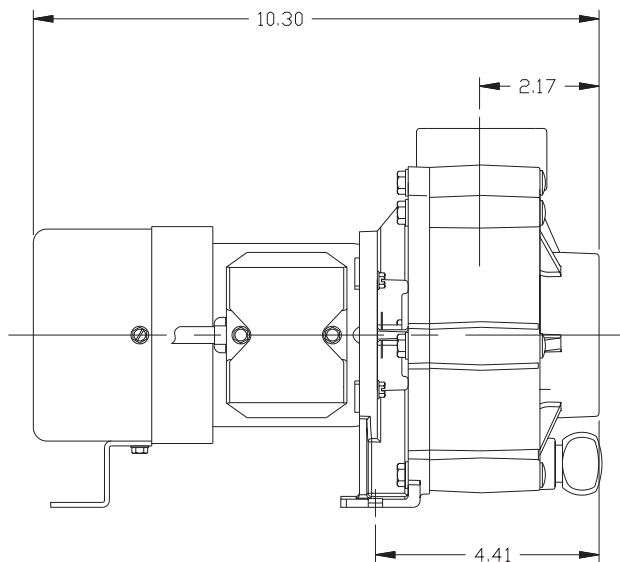
The Professional Series are end suction centrifugal pumps, designed to be located on the perimeter of the pond. This eliminates the need for wading into the pond to service the pump or pump intake filter. By locating the pump outside of the pond, you also greatly reduce the chance of electrical shock.

Reliability

The Professional Series was designed with the Professional in mind. Built tough, the pump housings are injection-molded of corrosion resistant thermoplastics, and are mounted to custom-built motors. Each Professional Series Pump is thoroughly tested prior to shipment. After proper installation, your pump will provide years of dependable, trouble free service.

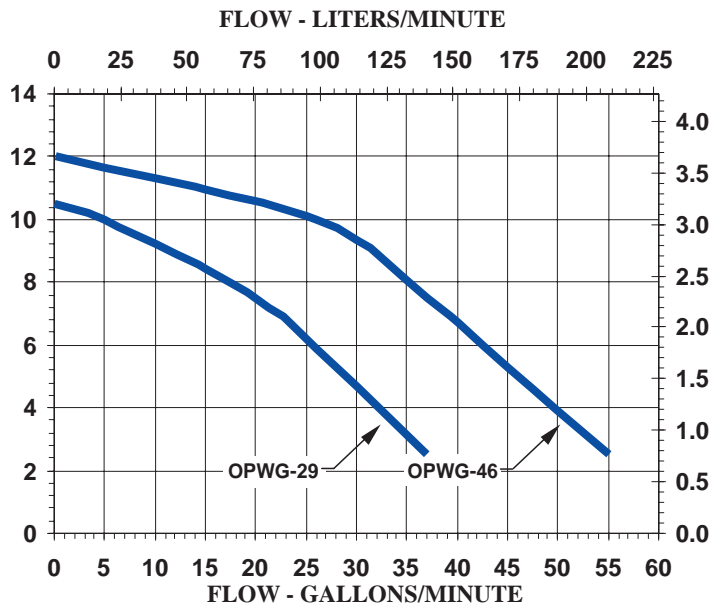
Little Giant Pump Co.

OPWG-29/46



Specifications

Model No.	Item No.	Discharge Size	Intake Size	Listing(s)	HP	Volts	Hertz	Amps	Watts	Performance (GPM @ Head)				Shut Off		Pwr. Cord (ft)	Weight (Lbs.)	Height	Length	Width
										2.5'	5'	7.5'	10'	Feet	PSI					
OPWG-29	566020	1-1/2" FNPT	2" FNPT	UL/CSA	1/8	115	60	1.1	92	37	29	20	5	11	4.8	8	9.12	7.00	10.50	6.80
OPWG-46	566021	1-1/2" FNPT	2" FNPT	UL/CSA	1/8	115	60	1.3	132	55	46	37	26	12	5.2	8	9.14	7.00	10.50	6.80



Replacement Parts

Part No.	Description
166200	Impeller OPWG 29
166201	Impeller OPWG 46
166205	Bracket
166207	Volute
166209	Drain Plug w/O-Ring
924041	O-Ring, Volute
926045	Seal Assy., Ceramic/Carbon

For technical advice or service please take your pump into your local pump service center.
To order pump or parts or for pricing please go to the following links :

[Little Giant Pumps Home >>](#)

[Little Giant Pumps stock list >>](#)