

# 1"-2" Self-Priming Chemical Pumps



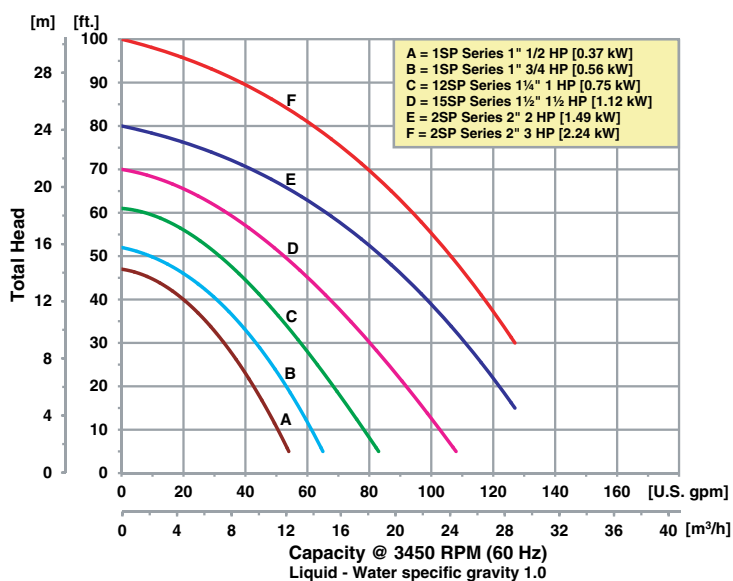
Model  
1SP07C-3P

Model  
2SP30C-3P

- **Cast Iron Construction with EPDM/EPR Seals**
- **Easy Cleanout Pull From Rear Design**
- **1" to 2" NPT Port Sizes**
- **Maximum Temperature 180° F**
- **Maximum Flow 130 GPM**
- **Maximum Head 100 Ft. (43 PSI)**
- **Self-Priming up to 20 Feet with Built-in Check Valve**
- **Self-Cleaning, Clog Resistant Impeller**
- **Solids Handling and Dirty Water Design**
- **1/2 to 3 HP 56J Dual Cycle 50/60 Hz Single or Three Phase TEFC Motors**
- **Motors Feature 303 Stainless Steel Shaft**

This line of AMT Self-Priming Centrifugal pumps is designed for industrial and commercial applications requiring high volume liquid transfer, waste water drainage and chemical processing. Pumps are designed to handle liquids with solids content or dissolved solids and debris. These pumps feature a self-cleaning clog resistant impeller capable of handling up to 3/8" diameter semi-solid and EPDM/EPR seals for liquid chemical transfer with specific gravities up to 1.3. (Verify chemical capability with liquids) Built-in check valve enables consistent self-priming to 20 feet. Dual volute design reduces radial load on motor. Pumps feature Dual cycle 50/60 Hz TEFC motors.

Performance of Self-Priming Centrifugal Pumps



400 Spring Street • Royersford, PA 19468 USA

[www.amtpump.com](http://www.amtpump.com) • 888-amt-pump (268-7867)

For use with nonflammable liquids compatible with pump component materials. Viton® and Teflon® are registered trademarks of E. I. DuPont.

## Pump Dimensional & Specification Data

Model	Curve	HP	PH	ENC	Voltage @ 60 Hz +	Full Load Amps	SUC*	DIS*	L**	W**	H	Ship Wt. (Lbs.)	Maximum Solids Handling Capacity
1SP05C-1P	A	1/2	1	TEFC	115-208/230	9/5	1	1	18.0 [45.7]	9.3 [23.6]	9.3 [23.6]	55	1/4"
1SP05C-3P			3	TEFC	208-230/460	3/2	1	1	17.3 [43.9]	9.3 [23.6]	9.3 [23.6]	52	
1SP07C-1P	B	3/4	1	TEFC	115-208/230	9/5	1	1	18.5 [47.0]	9.3 [23.6]	9.3 [23.6]	60	
1SP07C-3P			3	TEFC	208-230/460	3/2	1	1	18.0 [45.7]	9.3 [23.6]	9.3 [23.6]	53	
12SP10C-1P	C	1	1	TEFC	115-208/230	12/6	1 1/4	1 1/4	18.8 [47.7]	9.3 [23.6]	9.3 [23.6]	61	3/8"
12SP10C-3P			3	TEFC	208-230/460	4/2	1 1/4	1 1/4	17.3 [43.9]	9.3 [23.6]	9.3 [23.6]	57	
15SP15C-1P	D	1 1/2	1	TEFC	115-208/230	22/11	1 1/2	1 1/2	20.5 [52.0]	11.0 [27.9]	11.0 [28.0]	83	1/2"
15SP15C-3P			3	TEFC	208-230/460	6/3	1 1/2	1 1/2	20.3 [51.5]	11.0 [27.9]	11.0 [28.0]	73	
2SP20C-1P	E	2	1	TEFC	115-208/230	28/14	2	2	21.3 [54.1]	11.0 [27.9]	11.0 [28.0]	85	
2SP20C-3P			3	TEFC	208-230/460	7/4	2	2	20.8 [52.8]	11.0 [27.9]	11.0 [28.0]	78	
2SP30C-1P	F	3	1	TEFC	208/230	16	2	2	21.8 [55.4]	11.0 [27.9]	11.0 [28.0]	94	
2SP30C-3P			3	TEFC	208-230/460	8/4	2	2	21.3 [54.1]	11.0 [27.9]	11.0 [28.0]	82	

(\*) Standard NPT (Female) pipe thread.

(\*\*) This dimension may vary due to motor manufacturer's specifications.

(+) 3-Phase motors can also operate on 50 Hz. (This will change full load amps, service factor and RPM)

NOTE: Dimensions are in inches (centimeters) and have a tolerance of  $\pm 1/4"$ .

NOTE: Electric supply for ALL motors must be within  $\pm 10\%$  of nameplate voltage rating (e.g. 230V  $\pm 10\%$  = 207 to 253).

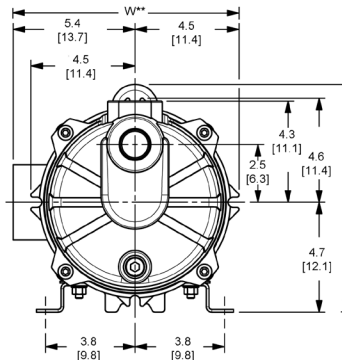
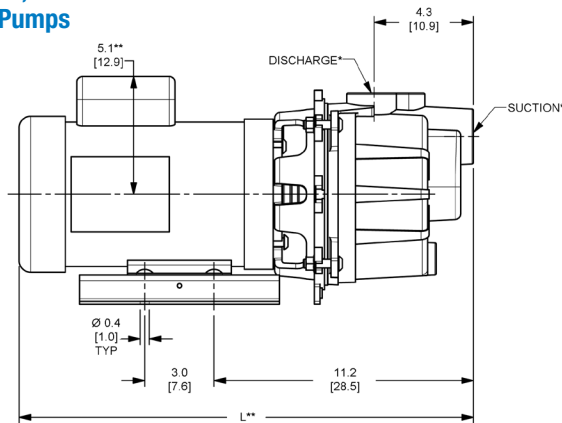
**Do Not Use With Petroleum Based Liquids!**

### Standard Features

- Cast Iron Construction with EPDM/EPR Mechanical Seals
- Built-in Check Valve for Fast Priming
- NEMA 56J Motors with Stainless Steel Shafts
- Maximum Working Pressure 125 PSI
- Available in Dual 50/60 Hz TEFC, Single or Three Phase Motors
- Self-priming to 20 Ft.
- Self-cleaning, Clog Resistant Impellers
- **Designed to handle liquids of specific gravities up to 1.3**
- **Do Not Use With Petroleum Based Liquids!**
- QSP—Quick Ship for Many Models

**Hazardous Duty/Explosion Proof motors available from stock ranging from 1 to 10 HP; CALL FOR QUOTATION & LEAD TIME!**

### 1", 1-1/4" NPT Pumps



### 1-1/2", 2" NPT Pumps

