

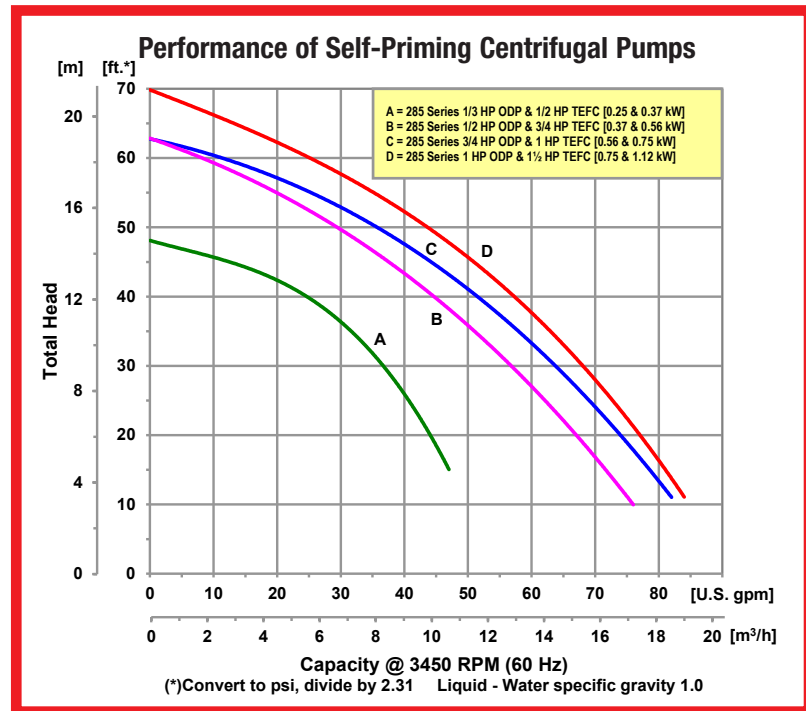
1" & 1-1/4" Self-Priming Cast Iron Centrifugal Pumps



Model 285F-95

- **Cast Iron Construction**
- **Buna-N Mechanical Seal and O-Ring**
- **Optional Viton® or Silicon Carbide Mechanical Seal and O-Ring**
- **1" & 1-1/4" NPT Suction and Discharge Ports**
- **Maximum Temperature 180° F**
- **Maximum Flow 85 GPM**
- **Maximum Head 70 Ft.**
- **Self-Priming to 20 Ft.**
- **Self-Cleaning, Semi-Open Impeller**
- **Solids Handling and Dirty Water Design**
- **1/3 to 1-1/2 HP Single or Three Phase Motors**

The AMT Self-Priming Cast Iron Centrifugal pumps are designed for dirty water, boosting, washdown, liquid transfer and dewatering applications. Dual volute design reduces radial load on motor. The centerline discharge feature is specifically designed to prevent vapor binding and makes for convenient piping connections. All models are fitted with self-cleaning, semi-open impeller. Pumps are designed to handle liquids with solids content or dissolved solids and debris. The units will self-prime to 20 feet. Mounting base features 7/16" mounting holes, which are 6" OC (on center). Built-in carrying handle offers portability.



SELF-PRIMING CAST IRON CENTRIFUGAL PUMPS



400 Spring Street • Royersford, PA 19468 USA

www.amtpump.com • 888-amt-pump (268-7867)

For use with nonflammable liquids compatible with pump component materials. Viton® and Teflon® are registered trademarks of E. I. DuPont.

SPE-5

Pump Dimensional & Specification Data

Model	Curve	HP	PH	ENC	Voltage @ 60 Hz	Full Load Amps	SUC*	DIS*	L**	W**	H	Ship Wt. (Lbs.)
2851-95	A	1/3	1	ODP	115/230	8/4	1	1	16.8 [42.7]	6.8 [17.7]	7.2 [18.3]	38
285E-95		1/2	1	TEFC	115/230	9/5			17.3 [43.9]	8.8 [22.3]	7.2 [18.3]	42
2852-95	B	1/2	1	ODP	115/230	10/5	1 1/4	1 1/4	17.0 [43.2]	6.8 [17.7]	7.2 [18.3]	39
285F-95		3/4	1	TEFC	115/230	9/5			17.8 [45.2]	8.8 [22.3]	7.2 [18.3]	55
285P-95		3/4	3	TEFC	230/460	3/2			17.3 [43.9]	8.8 [22.3]	8.6 [21.8]	45
2853-95	C	3/4	1	ODP	115/230	13/7	1 1/4	1 1/4	17.5 [44.4]	6.8 [17.7]	7.2 [18.3]	43
285G-95		1	1	TEFC	115/230	12/6			18.0 [45.7]	8.8 [22.3]	7.2 [18.3]	56
285J-95		1	3	TEFC	230/460	4/2			16.6 [42.1]	8.8 [22.3]	8.6 [21.8]	48
2855-95	D	1	1	ODP	115/230	17/9	1 1/4	1 1/4	18.3 [46.5]	6.8 [17.7]	7.2 [18.3]	55
285H-95		1 1/2	1	TEFC	115/230	18/9			18.5 [47.0]	8.8 [22.3]	7.2 [18.3]	58
285K-95		1 1/2	3	TEFC	230/460	5/3			18.3 [46.5]	8.8 [22.3]	8.6 [21.8]	56

(*) Standard NPT (Female) pipe thread.

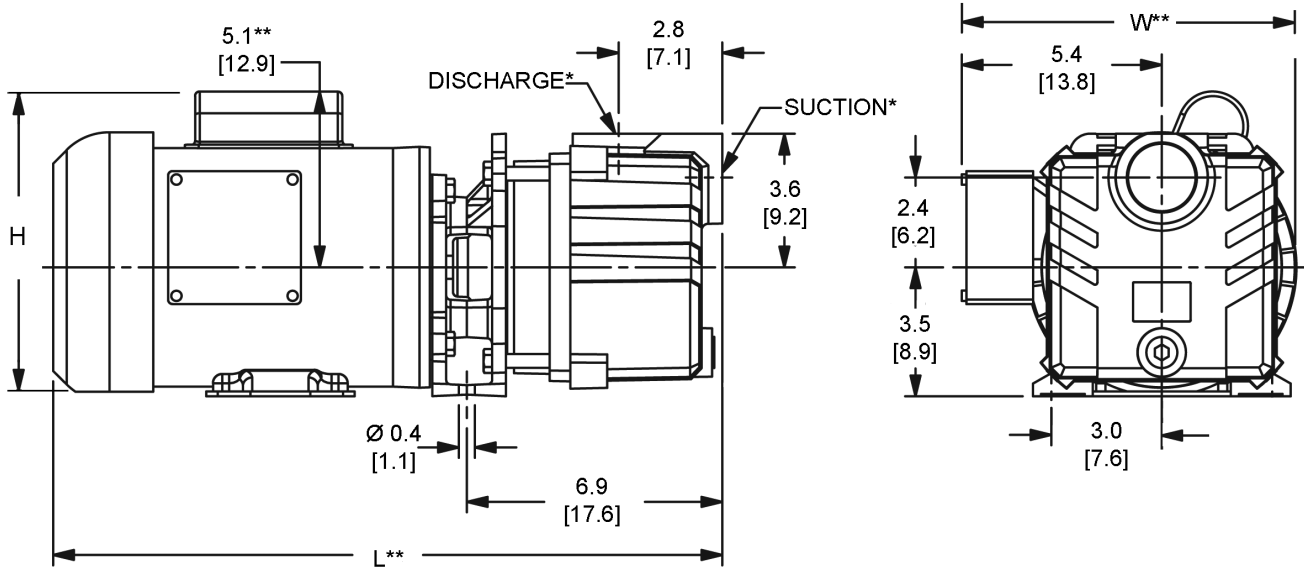
Maximum Solids Handling Capacity: 1/4" Diameter

(**) This dimension may vary due to motor manufacturer's specifications.

(+) 3-Phase motors can also operate on 50 Hz. (this will change full load amps, service factor and RPM)

NOTE: Dimensions are in inches (centimeters) and have a tolerance of $\pm 1/4"$.

NOTE: Electric supply for ALL motors must be within $\pm 10\%$ of nameplate voltage rating (e.g 230V $\pm 10\%$ =207 to 253)



Standard Features

- Cast Iron Construction
- Buna-N Mechanical Seal and O-Ring with optional Viton® or Silicon Carbide Mechanical Seal and O-ring
- 1" & 1-1/4" NPT Suction and Discharge Ports
- Dual Volute Design Reduces Radial Load on Motor
- Maximum Working Pressure 75 PSI
- Maximum Temperature 180° F
- Single or Three Phase, ODP or TEFC Motors Available
- Self-cleaning, Semi-open Impeller
- QSP – Quick Ship Pump for Many Models

Hazardous Duty/Explosion Proof motors available from stock ranging from 1 to 10 HP; CALL FOR QUOTATION & LEAD TIME!