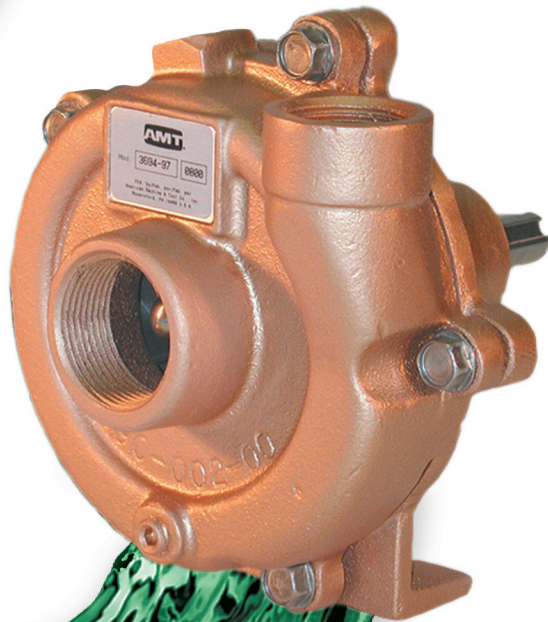


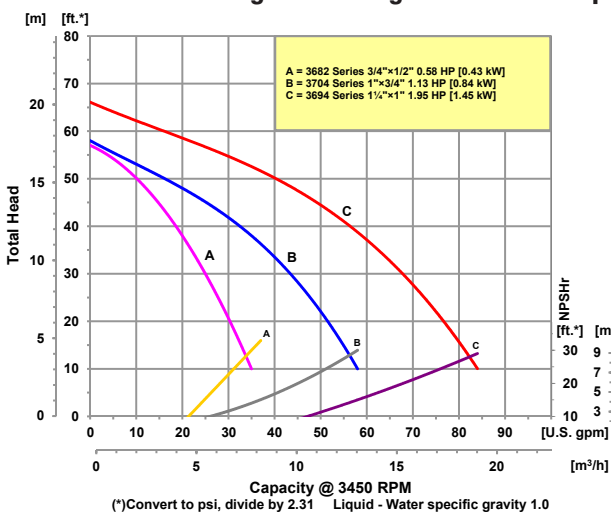
# Solids Handling Pedestal Pumps

Bronze Straight  
Pedestal



- **Available in: 300 Series Investment Cast Stainless Steel, Stainless Steel Fitted Cast Iron or Cast Bronze Construction (See Pricebook for Specific Model Availability)**
- **Mechanical Seal**
  - ◆ **Stainless Steel** Viton®
  - ◆ **Cast Bronze** Viton®
  - ◆ **Cast Iron** Buna-N
  - ◆ **Optional** Silicon Carbide
- **3/4" to 1-1/4" NPT Suction Port Sizes**
- **1/2" to 1" NPT Discharge Ports**
- **Maximum Temperature**
  - ◆ **Buna-N 180° F**
  - ◆ **Viton® 200° F**
- **Maximum 4000 RPM**
- **General Service Models 3682, 3694 & 3704 for Low Pressure Applications**

Performance of Straight Centrifugal Pedestal Pumps



AMT Straight Centrifugal Pedestal pumps are designed for continuous duty OEM, Industrial/ Commercial and processing applications including: circulation, chemical processing, liquid transfer, heating and cooling. The high head models are ideal for sprinkler systems and pressure boosting. Pumps are designed to handle liquids with solids contents or dissolved solids and debris up to 7% of liquid volume.

These units are available in a variety of construction and seal materials. Pull-from-the-rear design permits easy servicing without disturbing any piping. Pedestals feature CNC machined shafts with sealed ball bearings.

## Pump Dimensional & Specification Data

Model	A	B	C	D	E	F	G	J	K	M (Dia.)	L	W	H
<b>GENERAL SERVICE MODELS</b>													
<b>3694</b>	1.5 [3.8]	2.0 [5.0]	N/A	3.2 [8.1]	1.3 [3.3]	0.3 [0.7]	0.3 [0.7]	3.0 [7.6]	1.3 [3.3]	5/8	6.7 [17.0]	6.4 [16.3]	5.7 [14.4]
<b>3704</b>	1.5 [3.8]	2.1 [5.3]	N/A	3.2 [8.1]	1.4 [3.5]	0.3 [0.7]	0.3 [0.7]	3.0 [7.6]	1.3 [3.3]	5/8	6.7 [17.0]	6.4 [16.3]	5.6 [14.2]
<b>3682</b>	1.5 [3.8]	1.9 [4.8]	N/A	3.2 [8.1]	1.4 [3.5]	0.3 [0.7]	0.3 [0.7]	3.0 [7.6]	1.3 [3.3]	5/8	6.6 [16.7]	5.7 [14.6]	5.1 [12.9]

Model ‡	Curve	SUC*	DIS*	Minimum BHP Required @ 3450 RPM	‡ Ship Wt. (Lbs.)
<b>3694</b>	C	1¼	1	1.95	13
<b>3704</b>	B	1	¾	1.13	11
<b>3682</b>	A	¾	½	0.58	10

(\*) Standard NPT (Female) pipe thread.

NOTE: Dimensions are in inches (centimeters) and have a tolerance of  $\pm 1/8"$ .

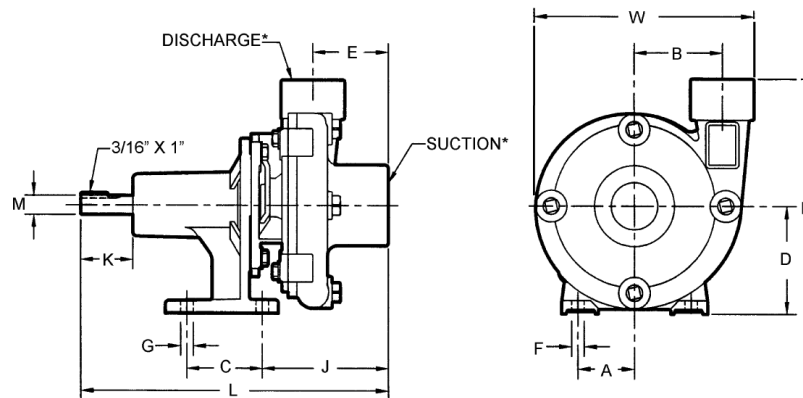
‡ When Ordering Add the Correct (-9x) Suffix to Model Number Indicating Material Selection (Ex. 3682-95).

**XCI (-95)** Cast Iron Construction with Stainless Steel Impeller and Buna-N Seals

**XB (-97)** Cast Bronze Casing with Stainless Steel Impeller, Pedestal with Viton® Seals

**XSS (-98)** Cast Stainless Steel Construction with Viton® Seals

(Check Pricebook for Availability on Models)



## Standard Features

- 300 Series Investment Cast Stainless Steel, Stainless Steel Fitted Cast Iron or Cast Bronze Construction (See Pricebook for Specific Model Availability)
- Mechanical Seal:
  - Cast Iron Buna-N
  - Stainless Steel Viton®
  - Cast Bronze Viton®
  - Optional Silicon Carbide
- Maximum Temperature:
  - Buna-N 180° F
  - Viton® 200° F
- ¾" to 1-1/4" NPT Suction Ports
- 1/2" to 1" NPT Discharge Ports
- Maximum Working Pressure:
  - General Service 75 PSI
- Self-cleaning Impeller on General Service Models
- Maximum Flow 84 GPM
- Maximum Head 76 Ft.
- QSP – Quick Ship Pump for Many Models