

Centrifugal Pumps

- **Available in: 300 Series Investment Cast Stainless Steel, Cast Bronze and Cast Iron with Stainless Steel Impeller Construction**
- **Viton® Mechanical Seal and O-Ring with Stainless Steel and Bronze Models**
- **Buna-N Mechanical Seal and O-Ring with Cast Iron Models**
- **Discharge Port Rotates in 90° Increments**
- **Self-Cleaning, Semi-Open Impeller**
- **Solids Handling and Dirty Water Design**
- **Maximum Flow 90 GPM**
- **Maximum Head 65 Ft. (28 PSI)**

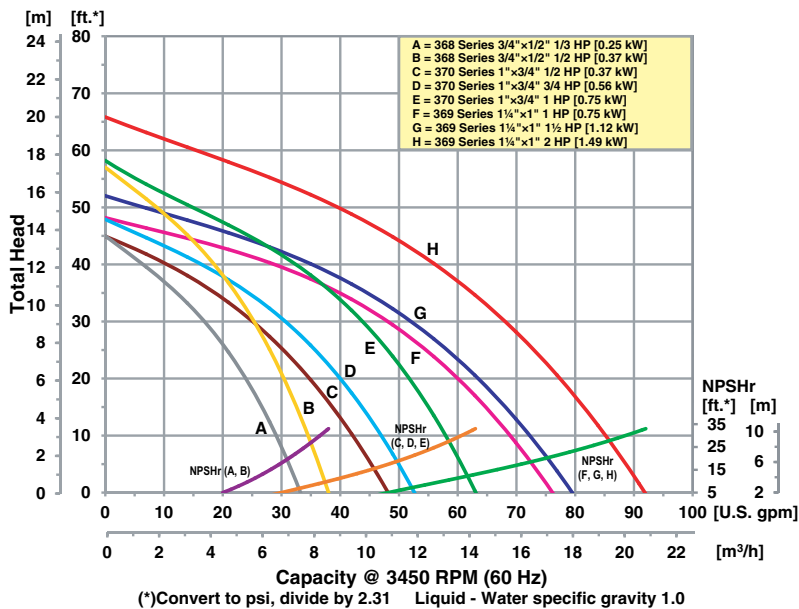
Stainless Steel
Centrifugal Pump

Bronze
Centrifugal Pump

AMT Solids Handling Centrifugal pumps are designed for continuous-duty low pressure OEM, Industrial/Commercial and general service applications including circulation, chemical processing, dirty water and liquid transfer.

These durable and compact pumps are available in a variety of construction and seal materials to meet your specification. Pull-from-rear design for easy service without disturbing any piping. Self-cleaning impeller prevents clogging and handles solids of 1/8" diameter. Pumps are designed to handle liquids with solids content or dissolved solids and debris. Pumps are close coupled to Totally Enclosed Fan Cooled (TEFC) motors. **Pumps are not self-priming and require flooded suction.**

Performance of Straight Centrifugal Pumps



Pump Dimensional & Specification Data

Model ‡	Curve	HP	PH	ENC	Voltage @ 60 Hz +	Full Load Amps	SUC*	DIS*	A	B**	C	E	L**	W**	H**	‡ Ship Wt. (Lbs.)
368A	A	1/3	1	TEFC	115/230	7/4	3/4	1/2	5.4 [13.7]	5.1 [13.0]	6.2 [15.9]	1.4 [3.6]	13.0 [33.0]	8.3 [21.3]	8.6 [21.8]	34
368B	B	1/2	1	TEFC	115/230	9/5	3/4	1/2	5.4 [13.7]	5.1 [13.0]	6.2 [15.9]	1.4 [3.6]	13.0 [33.0]	8.3 [21.3]	8.6 [21.8]	35
368C			3	TEFC	230/460	3/2										5.4 [13.7]
370B	C	1/2	1	TEFC	115/230	9/5	1	3/4	5.9 [14.9]	5.1 [13.0]	6.3 [16.1]	1.4 [3.6]	13.0 [33.1]	8.8 [22.5]	8.6 [21.8]	36
370F			3	TEFC	230/460	3/2										5.9 [14.9]
370A	D	3/4	1	TEFC	115/230	9/5	1	3/4	5.9 [14.9]	5.1 [13.0]	6.3 [16.1]	1.4 [3.6]	13.5 [34.4]	8.8 [22.5]	8.6 [21.8]	41
370C			3	TEFC	230/460	3/2										5.9 [14.9]
370E	E	1	1	TEFC	115/230	12/6	1	3/4	5.9 [14.9]	5.1 [13.0]	6.3 [16.1]	1.4 [3.6]	13.9 [35.5]	8.8 [22.5]	8.6 [21.8]	42
370D			3	TEFC	230/460	4/2										5.9 [14.9]
369C	F	1	1	TEFC	115/230	12/6	1 1/4	1	6.0 [15.2]	5.1 [13.0]	6.3 [16.1]	1.2 [3.3]	13.9 [35.5]	8.8 [22.5]	8.6 [21.8]	38
369F			3	TEFC	230/460	4/2										6.0 [15.2]
369A	G	1 1/2	1	TEFC	115/230	18/9	1 1/4	1	6.0 [15.2]	5.1 [13.0]	6.3 [16.1]	1.2 [3.3]	14.2 [36.3]	8.8 [22.5]	8.6 [21.8]	52
369B			3	TEFC	230/460	5/3										6.0 [15.2]
369D	H	2	1	TEFC	115/230	22/11	1 1/4	1	6.0 [15.2]	5.0 [12.7]	6.3 [16.1]	1.2 [3.3]	15.1 [38.5]	8.8 [22.5]	8.5 [21.6]	54
369E			3	TEFC	230/460	6/3										6.0 [15.2]

(*) Standard NPT (Female) pipe thread.

(**) This dimension may vary due to motor manufacturer's specifications.

(+) 3-Phase motors can also operate on 50 Hz. (This will change full load amps, service factor and RPM)

NOTE: Dimensions are in inches (centimeters) and have a tolerance of $\pm 1/4"$.

NOTE: Electric supply for ALL motors must be within $\pm 10\%$ of nameplate voltage rating (e.g. 230V $\pm 10\%$ = 207 to 253).

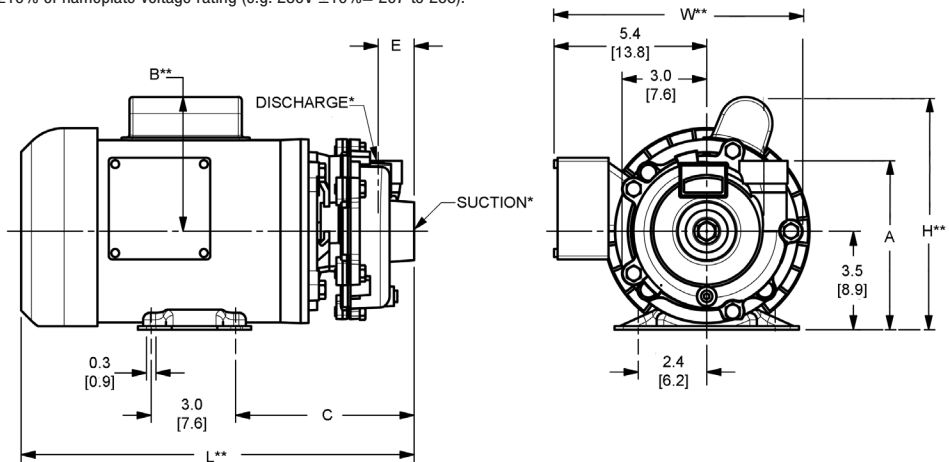
Maximum Solids Handling Capacity: 1/8" Diameter

‡ When Ordering, Add the Correct (-9X) Suffix to Model Number Indicating Material Selection (Ex. 368A-95)

XCI (-95) Cast Iron Construction with Stainless Steel Impeller and Buna-N Seals

XB (-97) Cast Bronze Construction with Viton® Seals

XSS (-98) Cast Stainless Steel Construction with Viton® Seals



Standard Features

- Stainless Steel, Bronze and Cast Iron Construction
- Buna-N or Viton® Mechanical Seal and O-ring, Depending on Model
- Optional Silicon Carbide Mechanical Seals Available
- Stainless Steel Motor Shaft and Hardware
- NEMA 56J TEFC Single or Three Phase Motors
- NEMA Base Mounted Motor
- Self-cleaning Impeller
- Discharge Rotates in 90° Increments
- Maximum Working Pressure 75 PSI
- Maximum Temperature
 - ♦ Viton® 200° F
 - ♦ Buna-N 180° F
- Front Drain Plug
- QSP – Quick Ship Pump for Many Models

Hazardous Duty/Explosion Proof motors available from stock ranging from 1 to 10 HP; CALL FOR QUOTATION & LEAD TIME!