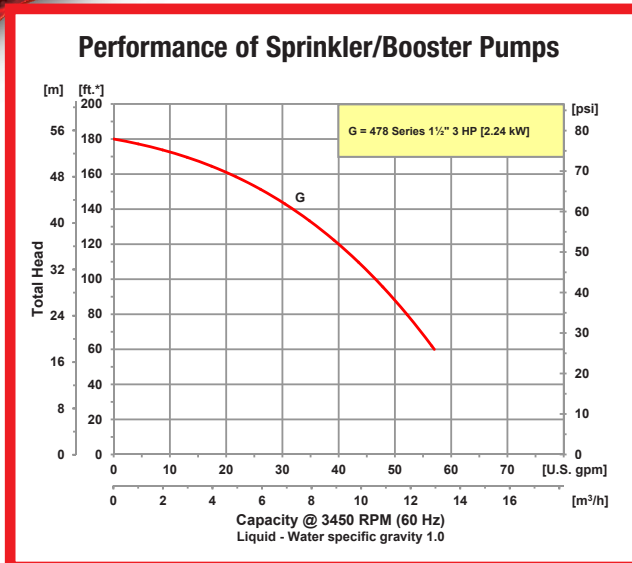
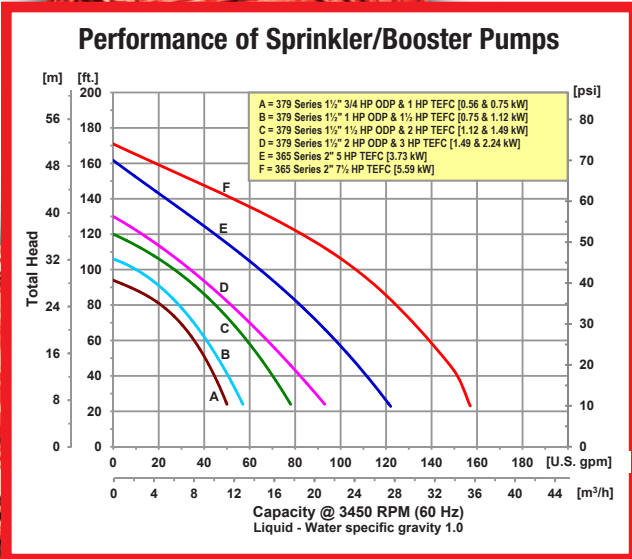




Model
3790-95

Self-Priming Sprinkler/Booster Pumps

- **Cast Iron Construction with 300 Series Investment Cast Stainless Steel Impellers**
- **Buna-N Mechanical Seal and O-Ring**
- **Optional Viton® Seal, Check Valve and O-Ring Available on Single Stage Models**
- **1-1/2" or 2" NPT Ports Sizes**
- **Maximum Temperature 180° F**
- **Maximum Flow 157 GPM**
- **Maximum Head 180 Ft.**
- **Self-Priming to 20 Ft.**
- **Single Stage (379/365 Series) Two Stage (478 Series) Construction**
- **Single Stage Models Feature Removable Dual Volute Design**
- **Available with 3/4 to 7-1/2 HP Single or Three Phase Motors**



AMT Sprinkler/Booster pumps feature 300 Series Investment cast stainless steel impellers for resistance against erosion caused by abrasive particles. All models self-prime to 20 feet. Single stage models feature dual volute design to reduce radial load on motor and a built-in check valve to ensure fast priming after initial liquid is added to the pump. Cast iron construction provides durability and low maintenance. Easy cleanout design includes replaceable dual volute/diffuser and casing o-ring for servicing. Two-stage models provide additional pressure in fractional horsepower sizes for multi-sprinkler head applications. Type 21 mechanical seals handle maximum working pressure to 150 PSI. Pumps are available from 3/4 to 7-1/2 HP with Open Drip Proof (ODP) or Totally Enclosed Fan Cooled (TEFC) motors.

Pump Dimensional & Specification Data

| Model | Curve | HP | PH | ENC | Voltage @ 60 Hz + | SUC* | DIS* | A | B | C | D | E | F | G | J | K | L** | W** | H | Ship Wt. (Lbs.) |
|---------|-------|-----|----|------|----------------------|------|------|-----------|-----------|------------|------------|------------|-----------|-------------|-----------|-----------|-------------|-------------|-------------|--------------------|
| 3790-95 | A | 3/4 | 1 | ODP | 115/230 | 1½ | 1½ | 2.2 [5.5] | 2.1 [5.3] | 2.9 [7.3] | 4.4 [11.1] | 4.7 [11.9] | 3.1 [7.8] | 6.2 [15.7] | 0.5 [1.2] | 0.7 [1.7] | 18.1 [46.0] | 8.0 [20.3] | 9.1 [23.1] | 66 |
| 379A-95 | | 1 | 1 | TEFC | 115/230 | 1½ | 1½ | 2.2 [5.5] | 2.1 [5.3] | 2.9 [7.3] | 4.4 [11.1] | 4.7 [11.9] | 3.1 [7.8] | 6.2 [15.7] | 0.5 [1.2] | 0.7 [1.7] | 18.6 [47.2] | 9.3 [23.6] | 9.1 [23.1] | 67 |
| 379F-95 | | 1 | 3 | TEFC | 230/460 | 1½ | 1½ | 2.2 [5.5] | 2.1 [5.3] | 2.9 [7.3] | 4.4 [11.1] | 4.7 [11.9] | 3.1 [7.8] | 6.2 [15.7] | 0.5 [1.2] | 0.7 [1.7] | 17.1 [43.4] | 9.3 [23.6] | 9.1 [23.1] | 63 |
| 3791-95 | B | 1 | 1 | ODP | 115/230 | 1½ | 1½ | 2.2 [5.5] | 2.1 [5.3] | 2.9 [7.3] | 4.4 [11.1] | 4.7 [11.9] | 3.1 [7.8] | 6.2 [15.7] | 0.5 [1.2] | 0.7 [1.7] | 18.3 [46.4] | 8.0 [20.3] | 9.1 [23.1] | 70 |
| 379B-95 | | 1½ | 1 | TEFC | 115/230 | 1½ | 1½ | 2.2 [5.5] | 2.1 [5.3] | 2.9 [7.3] | 4.4 [11.1] | 4.7 [11.9] | 3.1 [7.8] | 6.2 [15.7] | 0.5 [1.2] | 0.7 [1.7] | 19.1 [48.5] | 9.3 [23.6] | 9.1 [23.1] | 77 |
| 379J-95 | | 1½ | 3 | TEFC | 230/460 | 1½ | 1½ | 2.2 [5.5] | 2.1 [5.3] | 2.9 [7.3] | 4.4 [11.1] | 4.7 [11.9] | 3.1 [7.8] | 6.2 [15.7] | 0.5 [1.2] | 0.7 [1.7] | 18.8 [47.7] | 9.3 [23.6] | 9.1 [23.1] | 72 |
| 3792-95 | C | 1½ | 1 | ODP | 115/230 | 1½ | 1½ | 2.2 [5.5] | 2.1 [5.3] | 2.9 [7.3] | 4.4 [11.1] | 4.7 [11.9] | 3.1 [7.8] | 6.2 [15.7] | 0.5 [1.2] | 0.7 [1.7] | 18.8 [47.7] | 8.0 [20.3] | 9.1 [23.1] | 70 |
| 379C-95 | | 2 | 1 | TEFC | 115/230 | 1½ | 1½ | 2.2 [5.5] | 2.1 [5.3] | 2.9 [7.3] | 4.4 [11.1] | 4.7 [11.9] | 3.1 [7.8] | 6.2 [15.7] | 0.5 [1.2] | 0.7 [1.7] | 19.8 [50.3] | 9.3 [23.6] | 9.1 [23.1] | 79 |
| 379E-95 | | 2 | 3 | TEFC | 230/460 | 1½ | 1½ | 2.2 [5.5] | 2.1 [5.3] | 2.9 [7.3] | 4.4 [11.1] | 4.7 [11.9] | 3.1 [7.8] | 6.2 [15.7] | 0.5 [1.2] | 0.7 [1.7] | 19.3 [49.0] | 9.3 [23.6] | 9.1 [23.1] | 71 |
| 3793-95 | D | 2 | 1 | ODP | 115/230 | 1½ | 1½ | 2.2 [5.5] | 2.1 [5.3] | 2.9 [7.3] | 4.4 [11.1] | 4.7 [11.9] | 3.1 [7.8] | 6.2 [15.7] | 0.5 [1.2] | 0.7 [1.7] | 18.8 [47.7] | 8.0 [20.3] | 9.1 [23.1] | 79 |
| 379D-95 | | 3 | 1 | TEFC | 230 | 1½ | 1½ | 2.2 [5.5] | 2.1 [5.3] | 2.9 [7.3] | 4.4 [11.1] | 4.7 [11.9] | 3.1 [7.8] | 6.2 [15.7] | 0.5 [1.2] | 0.7 [1.7] | 20.3 [51.5] | 9.3 [23.6] | 9.1 [23.1] | 87 |
| 379L-95 | | 3 | 3 | TEFC | 230/460 | 1½ | 1½ | 2.2 [5.5] | 2.1 [5.3] | 2.9 [7.3] | 4.4 [11.1] | 4.7 [11.9] | 3.1 [7.8] | 6.2 [15.7] | 0.5 [1.2] | 0.7 [1.7] | 19.8 [50.3] | 9.3 [23.6] | 9.1 [23.1] | 76 |
| 3657-95 | E | 5 | 1 | TEFC | 230 | 2 | 2 | 3.7 [9.4] | 2.1 [5.3] | 5.5 [13.9] | 4.5 [11.4] | 4.7 [11.9] | 3.1 [7.8] | 15.9 [40.3] | 0.4 [1.0] | 0.4 [1.0] | 27.4 [69.6] | 13.4 [34.0] | 10.0 [25.4] | 165 |
| 3655-95 | | 5 | 3 | TEFC | 230/460 | 2 | 2 | 3.7 [9.4] | 2.1 [5.3] | 5.5 [13.9] | 4.5 [11.4] | 4.7 [11.9] | 3.1 [7.8] | 15.9 [40.3] | 0.4 [1.0] | 0.4 [1.0] | 25.0 [63.5] | 12.3 [31.2] | 10.0 [25.4] | 157 |
| 3656-95 | F | 7½ | 3 | TEFC | 230/460 | 2 | 2 | 3.7 [9.4] | 2.1 [5.3] | 5.5 [13.9] | 5.2 [13.2] | 4.7 [11.9] | 3.1 [7.8] | 15.9 [40.3] | 0.4 [1.0] | 0.7 [1.7] | 25.0 [63.5] | 12.3 [31.2] | 10.0 [25.4] | 160 |
| 4782-95 | G | 3 | 1 | ODP | 115/230 | 1½ | 1½ | 2.2 [5.5] | 2.1 [5.3] | 2.9 [7.3] | 4.4 [11.1] | 4.7 [11.9] | 3.1 [7.8] | 6.6 [16.7] | 0.5 [1.2] | 0.7 [1.7] | 19.7 [50.0] | 8.0 [20.3] | 9.1 [23.1] | 91 |
| 4786-95 | | 3 | 3 | TEFC | 230/460 | 1½ | 1½ | 2.2 [5.5] | 2.1 [5.3] | 2.9 [7.3] | 4.4 [11.1] | 4.7 [11.9] | 3.1 [7.8] | 6.6 [16.7] | 0.5 [1.2] | 0.7 [1.7] | 19.9 [50.5] | 8.0 [20.3] | 9.1 [23.1] | 86 |

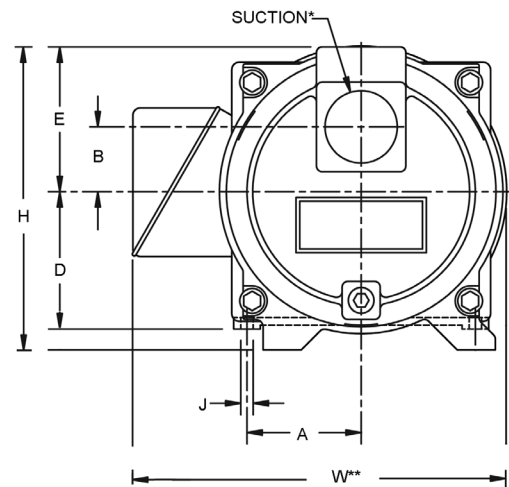
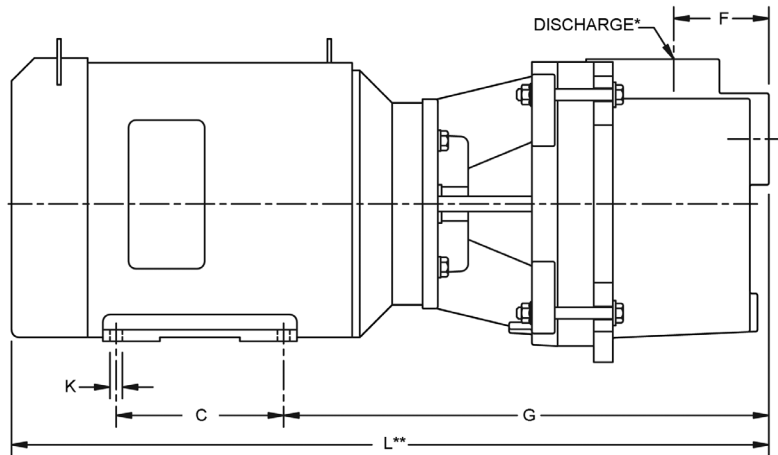
(*) Standard NPT (Female) pipe thread.

(**) This dimension may vary due to motor manufacturer's specifications.

(+) 3-Phase motors can also operate on 50 Hz. (this will change full load amps, service factor and RPM)

NOTE: Dimensions are in inches (centimeters) and have a tolerance of ± 1/4".

NOTE: Electric supply for ALL motors must be within ± 10% of nameplate voltage rating (e.g 230V ± 10%=207 to 253)



Standard Features

- Cast Iron Construction with 300 Series Investment Cast Stainless Steel Impeller
- Buna-N Mechanical Seal and O-ring
- ODP & TEFC Motors Available on 1-1/2" NPT Single-stage Models
- Removable/Replaceable Volute/Diffuser
- Maximum Solids:
 - 365X Series—5/16"
 - 379X Series—1/16"
 - 478X Series—1/16"
- Single Stage Models Feature Removable Dual Volute Design
- Self-priming to 20 Feet
- Maximum Working Pressure to 150 PSI
- Maximum Temperature 180° F
- Optional Mounting Base for Pumps with JM Motors (**Model 365x Series**)
- QSP - Quick Ship Pump for Many Models