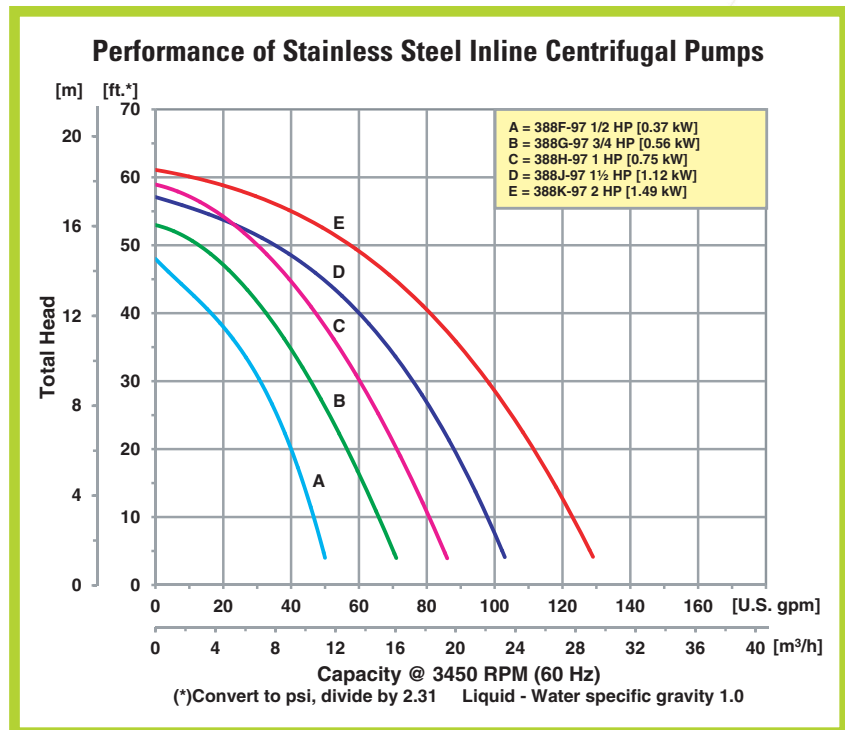


## 1-1/2" Stainless Steel Centrifugal Pumps

- **Stainless Steel Construction**
- **Buna-N Mechanical Seal and O-Ring**
- **Maximum Working Pressure 75 PSI**
- **Maximum Temperature 180° F**
- **Maximum Flow 130 GPM**
- **Maximum Head 62 Ft.**
- **Self-Cleaning, 1/8" Diameter Solids Handling Stainless Steel Impeller**
- **1/2 to 2 HP Totally Enclosed Fan Cooled (TEFC) Single Phase Motor**

Model 388G-98

AMT Stainless Steel Centrifugal pumps are designed for use with most gravity fed service applications requiring chemical processing and dirty water transfer. All models are fitted with a self-cleaning stainless steel impeller for maximum 1/8" diameter solids handling. Pumps are designed to handle liquids with solids content or dissolved solids and debris. Units feature pull-from-rear design for easy servicing without removing piping. **Pumps are not self-priming and require flooded suction.**



400 Spring Street • Royersford, PA 19468 USA

[www.amtpump.com](http://www.amtpump.com) • 888-amt-pump (268-7867)

For use with nonflammable liquids compatible with pump component materials. Viton® and Teflon® are registered trademarks of E. I. DuPont.

## Pump Dimensional & Specification Data

Model	Curve	HP	PH	ENC	Voltage @ 60 Hz	Full Load Amps	SUC*	DIS*	L**	W**	H	Ship Wt. (Lbs.)
388F-98	A	1/2	1	TEFC	115/230	8/4	1½	1½	13.0 [33.0]	8.9 [22.6]	8.7 [22.0]	41
388G-98	B	3/4	1	TEFC	115/230	10/5	1½	1½	13.5 [34.3]	8.9 [22.6]	8.7 [22.0]	47
388H-98	C	1	1	TEFC	115/230	13/7	1½	1½	13.7 [34.8]	8.9 [22.6]	8.7 [22.0]	47
388J-98	D	1½	1	TEFC	115/230	16/8	1½	1½	14.2 [36.0]	8.9 [22.6]	8.7 [22.0]	51
388K-98	E	2	1	TEFC	115/230	17/9	1½	1½	15.0 [38.1]	8.9 [22.6]	8.7 [22.0]	53

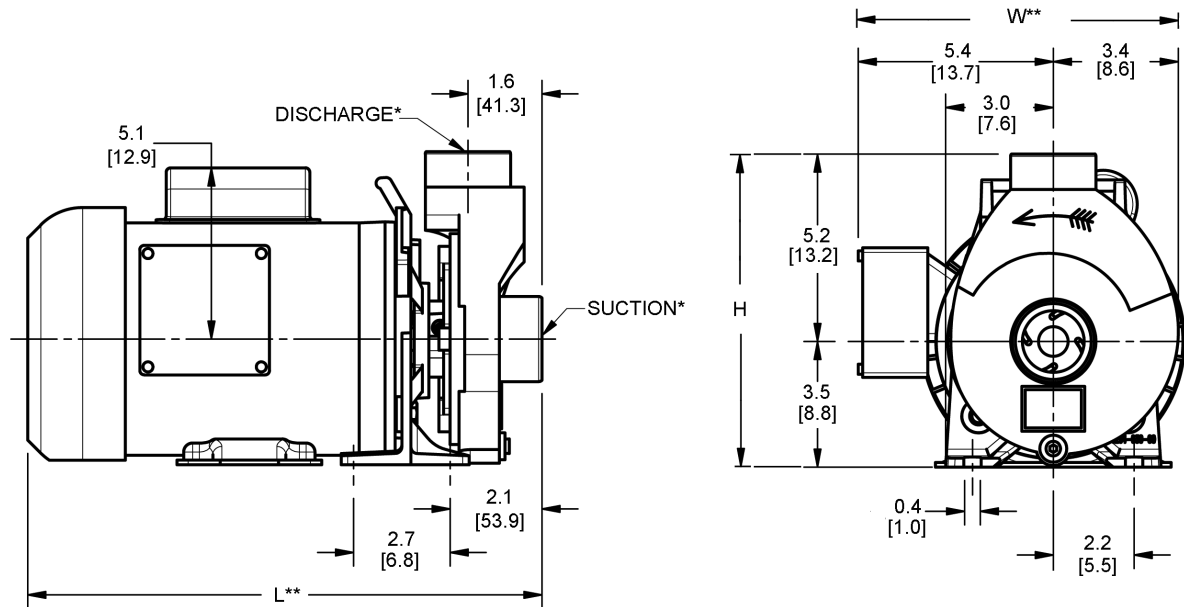
(\*) Standard NPT (Female) pipe thread.

(\*\*) This dimension may vary due to motor manufacturer's specifications.

NOTE: Dimensions are in inches (centimeters) and have a tolerance of ± 1/4".

NOTE: Electric supply for ALL motors must be within ± 10% of nameplate voltage rating (e.g 230V ± 10%=207 to 253)

Maximum Solids Handling Capacity: 1/8" Diameter



## Standard Features

- Stainless Steel Construction
- Buna-N Mechanical Seal and O-Ring
- 1-1/2" x 1-1/2" NPT Thread
- Maximum Working Pressure 75 PSI
- Maximum Temperature 180° F
- Maximum Head 62 Ft.
- Self-cleaning Stainless Steel Impeller
- 1/2 to 2 HP Totally Enclosed Fan Cooled (TEFC) Single Phase Motors
- Pull-from-Rear Design for Easy Servicing Without Removing Piping
- Maximum 1/8" Diameter Solids Handling

**Hazardous Duty/Explosion Proof motors available from stock ranging from 1 to 10 HP; CALL FOR QUOTATION & LEAD TIME!**