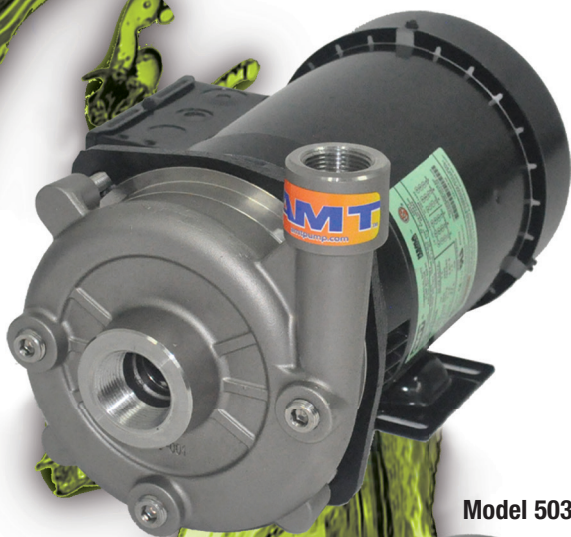


# Straight Centrifugal Pumps

Model 5023-98



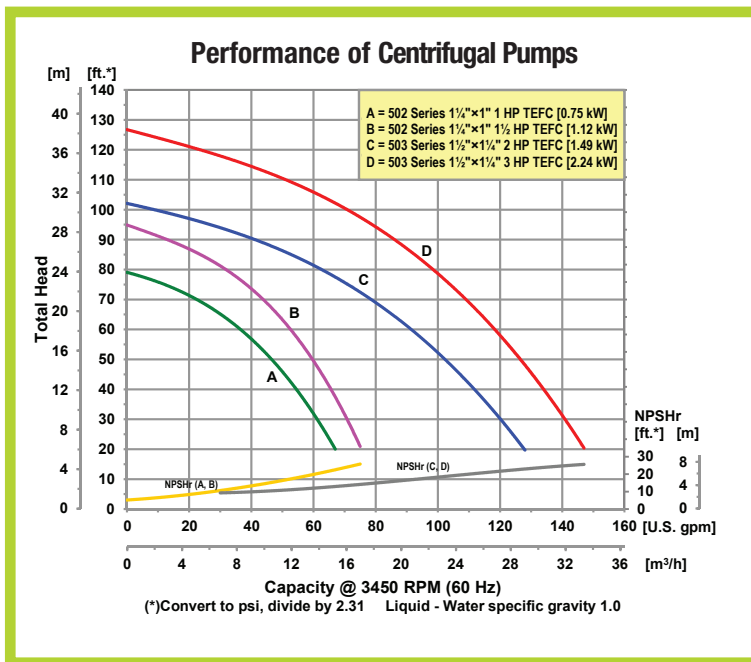
Model 5031-95



- **300 Series Investment Cast Stainless Steel, and Cast Iron Construction with Stainless Steel Impeller**
- **Viton® Silicon Carbide Mechanical Seal and O-Ring with Stainless Steel and Cast Iron Models**
- **2-Piece Impeller Allow for Easy Clean Out, and Servicing**
- **Optional EPDM/EPR Mechanical Seals Available**
- **Discharge Port Rotates in 90° Increments**
- **502 Series: 1-1/4" x 1" Ports**
- **503 Series: 1-1/2" x 1-1/4" Ports**
- **Maximum Flow 156 GPM**
- **Maximum Head 127 Ft. (55 PSI)**

AMT Straight Centrifugal Pumps are designed for continuous-duty OEM, Industrial/Commercial and Processing applications including dirty water circulation, liquids containing particles and solids up to 1/8" diameter for chemical processing and liquid transfer.

These straight centrifugal heavy duty industrial pumps are available in a variety of construction and seal materials to meet your specification. Pull from rear design for easy servicing without disturbing piping, in addition to a two piece impeller for easy clean out. Pumps are closed coupled to Totally Enclosed Fan Cooled (TEFC) motors. Pumps are not self-priming and require flooded suction. **Pumps are not self-priming and require flooded suction.**



400 Spring Street • Royersford, PA 19468 USA

[www.amtpump.com](http://www.amtpump.com) • 888-amt-pump (268-7867)

For use with nonflammable liquids compatible with pump component materials. Viton® and Teflon® are registered trademarks of E. I. DuPont.

## Pump Dimensional & Specification Data

| Model ‡ | Curve | HP    | PH | ENC  | Voltage<br>@ 60 Hz + | Full<br>Load<br>Amps | SUC*  | DIS*  | A**           | B**        | C**           | D            | E            | F            | L**         | W**            | H             | ‡ Ship Wt.<br>(Lbs.) |
|---------|-------|-------|----|------|----------------------|----------------------|-------|-------|---------------|------------|---------------|--------------|--------------|--------------|-------------|----------------|---------------|----------------------|
| 5022    | A     | 1     | 1  | TEFC | 115-208/230          | 12/6                 | 1-1/4 | 1     | 5.4<br>[13.8] | 5.1 [13.0] | 7.1<br>[18.0] | 0.1<br>[0.3] | 1.6<br>[4.0] | 3.3<br>[8.5] | 14.6 [37.1] | 9.7<br>[24.7]  | 8.4<br>[21.2] | 54                   |
| 5023    |       |       | 3  | TEFC | 208-230/460          | 4/2                  |       |       |               | N/A        |               |              |              |              | 13.6 [34.5] |                |               | 54                   |
| 5020    | B     | 1-1/2 | 1  | TEFC | 115-208/230          | 22/11                | 1-1/2 | 1-1/4 | 5.4<br>[13.8] | 5.1 [13.0] | 6.6<br>[16.7] | 0.4<br>[1.1] | 1.5<br>[3.8] | 3.4<br>[8.6] | 15.1 [38.3] | 10.0<br>[25.4] | 8.9<br>[22.7] | 55                   |
| 5021    |       |       | 3  | TEFC | 208-230/460          | 6/3                  |       |       |               | N/A        |               |              |              |              | 15.1 [38.3] |                |               | 55                   |
| 5032    | C     | 2     | 1  | TEFC | 115-208/230          | 28/14                | 1-1/2 | 1-1/4 | 5.4<br>[13.8] | 5.0 [12.7] | 6.6<br>[16.7] | 0.4<br>[1.1] | 1.5<br>[3.8] | 3.4<br>[8.6] | 15.3 [38.9] | 10.0<br>[25.4] | 8.9<br>[22.7] | 65                   |
| 5033    |       |       | 3  | TEFC | 208-230/460          | 7/4                  |       |       |               | N/A        |               |              |              |              | 15.1 [38.3] |                |               | 65                   |
| 5030    | D     | 3     | 1  | TEFC | 208/230              | 16                   | 1-1/2 | 1-1/4 | 5.4<br>[13.8] | 5.0 [12.7] | 6.6<br>[16.7] | 0.4<br>[1.1] | 1.5<br>[3.8] | 3.4<br>[8.6] | 15.8 [40.1] | 10.0<br>[25.4] | 8.9<br>[22.7] | 74                   |
| 5031    |       |       | 3  | TEFC | 208-230/460          | 8/4                  |       |       |               | N/A        |               |              |              |              | 15.9 [40.3] |                |               | 74                   |

(\*) Standard NPT (Female) pipe thread.

Maximum Solids Handling Capacity: 1/8" Diameter

(\*\*) This dimension may vary due to motor manufacturer's specifications.

(+) 3-Phase motors can also operate on 50 Hz. (This will change full load amps, service factor and RPM)

NOTE: Dimensions are in inches (centimeters) and have a tolerance of  $\pm 1/4"$ .

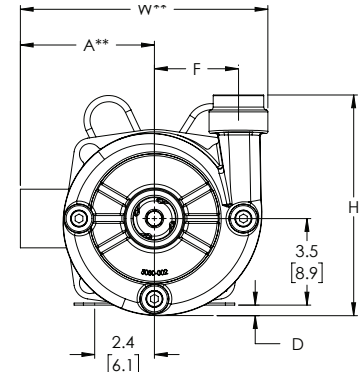
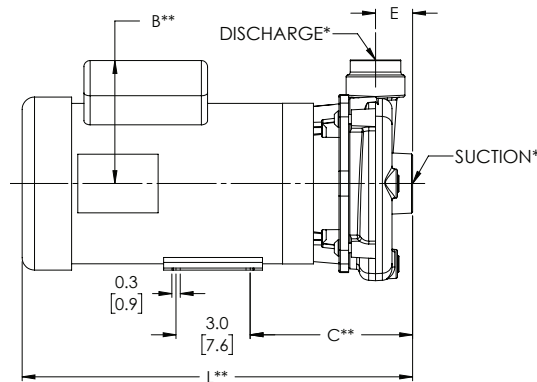
NOTE: Electric supply for ALL motors must be within  $\pm 10\%$  of nameplate voltage rating (e.g. 230V  $\pm 10\%$  = 207 to 253).

‡ When Ordering, Add the Correct  
(-9X) Suffix to Model Number Indicating  
Material Selection (Ex. 5023-95)

XCI (-95) Cast Iron Construction with  
Viton® Seals

XSS (-98) Cast Stainless Steel Construction  
with Viton® Seals

(All Models Come Standard with Stainless  
Steel Impeller)



## Standard Features

- Stainless Steel, and Cast Iron Construction
- Viton® Silicon Carbide Mechanical Seal and O-ring
- Optional EPDM/EPR Mechanical Seals Available
- Stainless Steel Motor Shaft and Hardware
- NEMA TEFC Single or Three Phase 3450 RPM Motors
- NEMA Base Mounted Motor
- Stainless Steel Impeller
- Discharge Rotates in 90° Increments
- Maximum Working Pressure 150 PSI
- Maximum Temperature 200° F
- (3) Front Drain Plugs, Located 90° Apart
- QSP – Quick Ship Pump for Many Models

Hazardous Duty/Xplosion Proof motors available from stock ranging from 1 to 10 HP; CALL FOR QUOTATION & LEAD TIME!