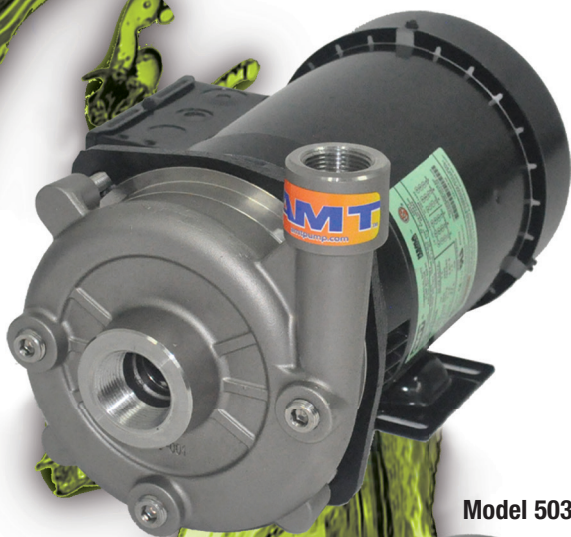


Straight Centrifugal Pumps

Model 5023-98



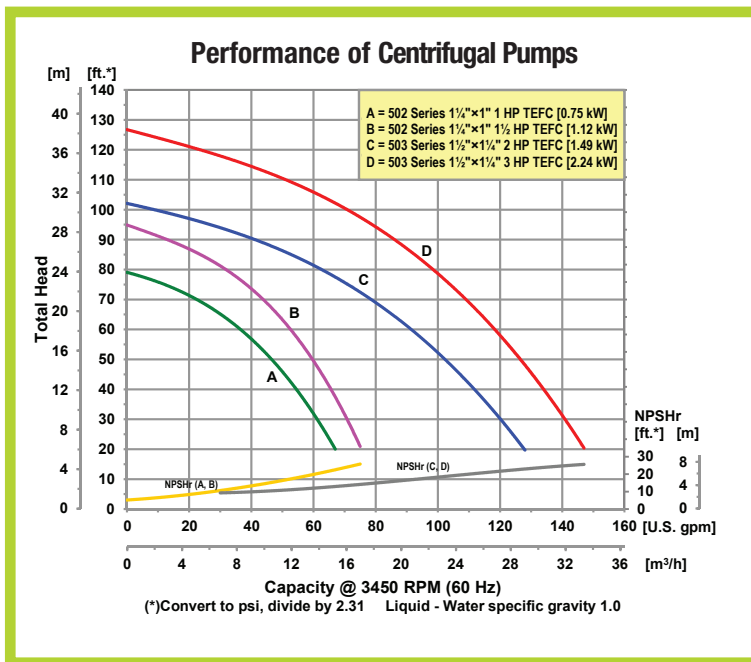
Model 5031-95



- **300 Series Investment Cast Stainless Steel, and Cast Iron Construction with Stainless Steel Impeller**
- **Viton® Silicon Carbide Mechanical Seal and O-Ring with Stainless Steel and Cast Iron Models**
- **2-Piece Impeller Allow for Easy Clean Out, and Servicing**
- **Optional EPDM/EPR Mechanical Seals Available**
- **Discharge Port Rotates in 90° Increments**
- **502 Series: 1-1/4" x 1" Ports**
- **503 Series: 1-1/2" x 1-1/4" Ports**
- **Maximum Flow 156 GPM**
- **Maximum Head 127 Ft. (55 PSI)**

AMT Straight Centrifugal Pumps are designed for continuous-duty OEM, Industrial/Commercial and Processing applications including dirty water circulation, liquids containing particles and solids up to 1/8" diameter for chemical processing and liquid transfer.

These straight centrifugal heavy duty industrial pumps are available in a variety of construction and seal materials to meet your specification. Pull from rear design for easy servicing without disturbing piping, in addition to a two piece impeller for easy clean out. Pumps are closed coupled to Totally Enclosed Fan Cooled (TEFC) motors. Pumps are not self-priming and require flooded suction. **Pumps are not self-priming and require flooded suction.**



400 Spring Street • Royersford, PA 19468 USA

www.amtpump.com • 888-amt-pump (268-7867)

For use with nonflammable liquids compatible with pump component materials. Viton® and Teflon® are registered trademarks of E. I. DuPont.

Pump Dimensional & Specification Data

Model ‡	Curve	HP	PH	ENC	Voltage @ 60 Hz +	Full Load Amps	SUC*	DIS*	A**	B**	C**	D	E	F	L**	W**	H	‡ Ship Wt. (Lbs.)
5022	A	1	1	TEFC	115-208/230	12/6	1-1/4	1	5.4 [13.8]	5.1 [13.0]	7.1 [18.0]	0.1 [0.3]	1.6 [4.0]	3.3 [8.5]	14.6 [37.1]	9.7 [24.7]	8.4 [21.2]	54
5023			3	TEFC	208-230/460	4/2				N/A					13.6 [34.5]			54
5020	B	1-1/2	1	TEFC	115-208/230	22/11	1-1/2	1-1/4	5.4 [13.8]	5.1 [13.0]	6.6 [16.7]	0.4 [1.1]	1.5 [3.8]	3.4 [8.6]	15.1 [38.3]	10.0 [25.4]	8.9 [22.7]	55
5021			3	TEFC	208-230/460	6/3				N/A					15.1 [38.3]			55
5032	C	2	1	TEFC	115-208/230	28/14	1-1/2	1-1/4	5.4 [13.8]	5.0 [12.7]	6.6 [16.7]	0.4 [1.1]	1.5 [3.8]	3.4 [8.6]	15.3 [38.9]	10.0 [25.4]	8.9 [22.7]	65
5033			3	TEFC	208-230/460	7/4				N/A					15.1 [38.3]			65
5030	D	3	1	TEFC	208/230	16	1-1/2	1-1/4	5.4 [13.8]	5.0 [12.7]	6.6 [16.7]	0.4 [1.1]	1.5 [3.8]	3.4 [8.6]	15.8 [40.1]	10.0 [25.4]	8.9 [22.7]	74
5031			3	TEFC	208-230/460	8/4				N/A					15.9 [40.3]			74

(*) Standard NPT (Female) pipe thread.

Maximum Solids Handling Capacity: 1/8" Diameter

(**) This dimension may vary due to motor manufacturer's specifications.

(+) 3-Phase motors can also operate on 50 Hz. (This will change full load amps, service factor and RPM)

NOTE: Dimensions are in inches (centimeters) and have a tolerance of $\pm 1/4"$.

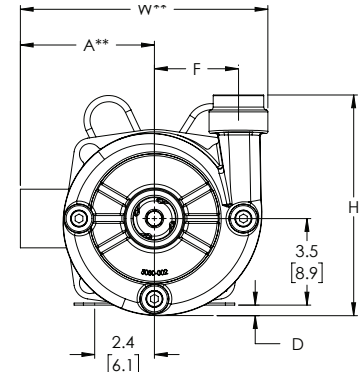
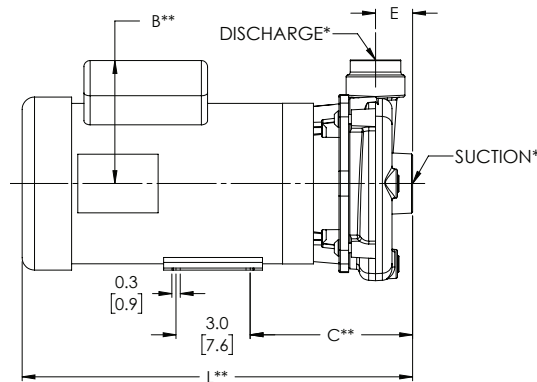
NOTE: Electric supply for ALL motors must be within $\pm 10\%$ of nameplate voltage rating (e.g. 230V $\pm 10\%$ = 207 to 253).

‡ When Ordering, Add the Correct
(-9X) Suffix to Model Number Indicating
Material Selection (Ex. 5023-95)

XCI (-95) Cast Iron Construction with
Viton® Seals

XSS (-98) Cast Stainless Steel Construction
with Viton® Seals

(All Models Come Standard with Stainless
Steel Impeller)



Standard Features

- Stainless Steel, and Cast Iron Construction
- Viton® Silicon Carbide Mechanical Seal and O-ring
- Optional EPDM/EPR Mechanical Seals Available
- Stainless Steel Motor Shaft and Hardware
- NEMA TEFC Single or Three Phase 3450 RPM Motors
- NEMA Base Mounted Motor
- Stainless Steel Impeller
- Discharge Rotates in 90° Increments
- Maximum Working Pressure 150 PSI
- Maximum Temperature 200° F
- (3) Front Drain Plugs, Located 90° Apart
- QSP – Quick Ship Pump for Many Models

Hazardous Duty/Xplosion Proof motors available from stock ranging from 1 to 10 HP; CALL FOR QUOTATION & LEAD TIME!