

Cast Iron, Ni-Resist or Silver Series XL™

Series 6500 6-Roller Includes Models: 6500C, 6500N, 6500XL

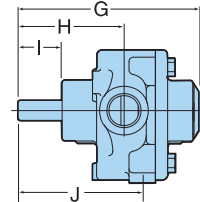
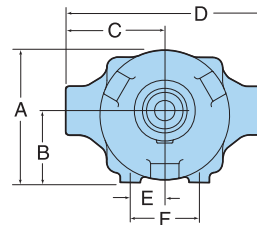


Pressure in PSI and BAR	GPM		HP		GPM		HP		GPM		HP	
	LPM	HP	LPM	HP	LPM	HP	LPM	HP	LPM	HP		
	@540 RPM				@1000 RPM				@1200 RPM			
0 PSI	9.7	.08	18.2	.20	21.8	.30						
0 BAR	36.7	.08	68.9	.20	82.5	.30						
50 PSI	8.0	.38	16.5	.71	20.1	.90						
3.4 BAR	30.3	.38	62.4	.71	76.1	.90						
100 PSI	7.2	.68	15.4	1.26	19.1	1.51						
6.9 BAR	27.3	.68	58.3	1.26	72.3	1.51						
150 PSI	6.6	.97	14.7	1.80	18.2	2.14						
10.3 BAR	25	.97	55.6	1.80	68.9	2.14						
200 PSI	5.6	1.29	14.0	2.34	17.3	2.84						
13.8 BAR	21.2	1.29	53	2.34	65.5	2.84						
250 PSI	4.9	1.65	13.4	2.91	16.5	3.48						
17.2 BAR	18.5	1.65	50.7	2.91	62.4	3.48						
300 PSI	4.3	1.91	12.7	3.47	15.7	4.17						
20.7 BAR	16.3	1.91	48.1	3.47	59.4	4.17						

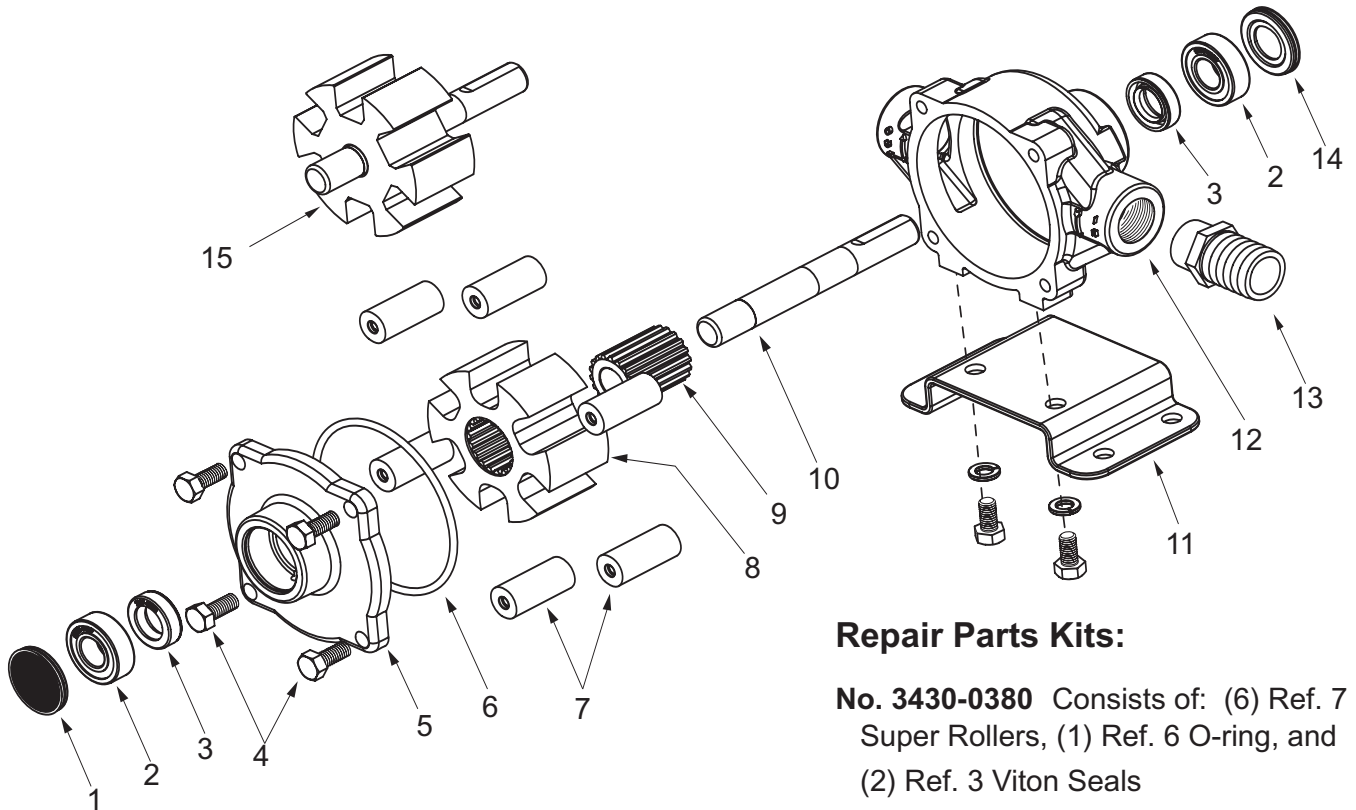
Features

- Max. flow: 9.7 gpm/36.7 lpm at 540 rpm;
18.2 gpm/68.9 lpm at 1000 rpm;
21.8 gpm/82.5 lpm at 1200 rpm
- Max. pressure: continuous 100-150 psi/6.9-10.3 bar;
intermittent 300 psi/20.7 bar
- Max. rated speed: 1200 rpm
- Shaft size: 5/8" solid
- Port size: 3/4" NPT
- 1" hose barb inlet fitting for 1000 rpm operation
- Max. fluid temperature: 140°F/60°C
- Housing: Cast Iron, Ni-Resist or Silvercast
- Pump shaft rotation: CCW (CW available)*
- Weight: 9 lbs./4.1 kg
- Rollers: Super Rollers standard (Poly, Teflon and Buna-N available)
- Shaft Seals: Viton standard (Buna-N available)
- Available PTO adapters: See page 67
- Recommended PTO torque arm kit 3430-0540
- Rotor: Super Rotor standard (Cast Iron, Ni-Resist and Silvercast available.
Add "-A" when ordering.)

Dimensions	
Standard	Metric
A. 4 3/32"	104 mm
B. 2 7/32"	56 mm
C. 3 1/16"	78 mm
D. 6 1/8"	156 mm
E. 1 1/16"	27 mm
F. 2 1/8"	54 mm
G. 5 19/32"	142 mm
H. 3 3/32"	83 mm
I. 1 3/16"	35 mm
J. 3 7/8"	48 mm



Series 6500



Repair Parts Kits:

No. 3430-0380 Consists of: (6) Ref. 7 Super Rollers, (1) Ref. 6 O-ring, and (2) Ref. 3 Viton Seals

No. 3430-0175 Consists of: (6) Ref. 7 Polypropylene Rollers, (1) Ref. 6 O-ring, and (2) Ref. 3 Viton Seals

No. 3430-0621 Consists of: (1) Ref. 8 Phenolic Rotor, (1) Ref. 9 Metal Insert, and (1) Ref. 10 Shaft

Note: When ordering parts, give quantity, part number, description and complete model number. Reference numbers are used ONLY to identify parts in the drawing and NOT to be used as order numbers.

Ref. No.	Qty. Req'd.	Part No.	Description
1	1	2300-0021	Bearing Cover
2	2	2000-0010	Sealed Ball Bearing
3	2	2107-0002	Viton Seal (Standard)
3	2	2102-0001	Buna-N Seal (Optional)
4	4	2210-0004	Bolts
5	1	0200-6600C	Endplate (Cast Iron) with seal
5	1	0200-6600N	Endplate (Ni-Resist) with seal
5	1	0200-6600X	Endplate (SilverCast) with seal
6	1	1720-0008	O-ring Gasket for Endplate
7	6	1005-0004	Super Roller (Standard)
7	6	1002-0004	Polypropylene Roller (Optional)
7	6	1052-0004	Buna-N Roller (Optional)
7	6	1055-0004	Teflon Roller (Optional)
8	1	0401-6500P	Phenolic Rotor (Standard)

Ref. No.	Qty. Req'd.	Part No.	Description
9	1	1201-0018	Metal insert
10	1	0500-6500	Shaft
11	1 kit	3420-0023	Base Kit - Includes: (1) Base, (2) Bolts and (2) Washers
12	1	0100-6600C	Body (Cast Iron) with seal
12	1	0100-6600N	Body (Ni-Resist) with seal
12	1	0100-6600X	Body (SilverCast) with seal
13	1	2404-0052	1" Hose Barb
14	1	2300-0023	Shaft Bearing Cover
15	1	N/A	Metal Rotor Assembly: Replaced by Kit No. 3430-0621 (Phenolic Rotor Assembly)