



Model 18610 Series

SELF-PRIMING PUMPS

FEATURES

- Body:** Bronze
- Impeller:** Made of Neoprene, Nitrile, Viton*
- Shaft Seal:** Lip Type
- Ports:** 1/2" NPT Female
Includes Two 3/4" Male Garden Hose Adapters
- Motor:** 1/6hp - 115 Vac, 60 Hz. ODP Motor
1/4hp - 115 Vac, 60 Hz. TENV Motor
Thermal Overload Protector
Stainless Steel Shaft
8' Cord with 3 Prong Grounded Plug
- Weight:** 12 lb (5.4 kg)



Model 18610 Series

| | |
|--|---|
| | <p>Explosion hazard. Do not use where flammable vapors are present. Do not pump gasoline, solvents, thinners or other flammable liquids. To do so can cause an explosion resulting in injury or death.</p> |
|--|---|

VARIATIONS AVAILABLE

| Model | Description |
|------------|---|
| 18610-0001 | Open Drip Proof Motor, Neoprene Impeller |
| 18610-0003 | Open Drip Proof Motor, Nitrile Impeller |
| 18610-0004 | Open Drip Proof Motor, Viton Impeller and Seal |
| 18610-0271 | Totally Enclosed Motor, Neoprene Impeller |
| 18610-0273 | Totally Enclosed Motor, Nitrile Impeller |
| 18610-0274 | Totally Enclosed Motor, Viton Impeller and Seal |

APPLICATIONS

INDUSTRIAL: Circulating and transferring, velocity-mixing, pumping machine tool coolants, return spill, sump drainage, pharmaceuticals, soap, liquors, ink, dyes, alcohol, glycerine, brine and pumping water for cooling heliarc welding equipment

FARMING: Pumping water for stock, pumping water from shallow wells and cisterns

MARINE: Washdowns, utility dock side pump

PLUMBING & HOME EMERGENCY USE: Pumping out flooded basements, cesspools, sumps, water heaters and water closets, drains and sinks, draining fishponds and small pools

PUBLIC UTILITIES AND MUNICIPALITIES: Dewatering and draining meter boxes and excavations, dust control and sampling

* Viton is a registered trademark of Du Pont Elastomers L.L.C.

OPERATING INSTRUCTIONS

1. **INSTALLATION:** Pump may be mounted in any position. Inlet port is on the right and discharge port on the left when facing pump.
2. **SELF-PRIMING:** Vertical dry suction lift of 6 feet with Neoprene impeller. Pump will produce suction lift up to 20 feet when wetted. **BE SURE SUCTION LINES ARE AIRTIGHT OR PUMP WILL NOT SELF-PRIME.**

NOTE: Viton impeller suction lift requirement should not exceed 3 feet.
3. **DISCHARGE LINE:** When transferring liquids further than 25 feet, discharge line size should be increased to next available pipe size.
4. **RUNNING DRY:** DO NOT RUN DRY. Unit depends on liquid pumped for lubrication. Lack of liquid will damage the impeller.
5. **NOTICE:** When pumping chemicals, consult Jabsco Chemical Resistance Table for proper body and impeller materials. Pump life is prolonged if pump is flushed with water after each use.
6. **TEMPERATURES:**
 - Neoprene: 45° to 180° F (7° to 82° C)
 - Nitrile: 50° to 180° F (10° to 82° C)
 - Viton: 60° to 180° F (15° to 82° C)
7. **FREEZING WEATHER:** Drain unit by loosening end cover. Glycol and alcohol based anti-freeze compounds are recommended. **DO NOT USE PETROLEUM BASED ANTI-FREEZE COMPOUNDS OR RUST INHIBITORS.**

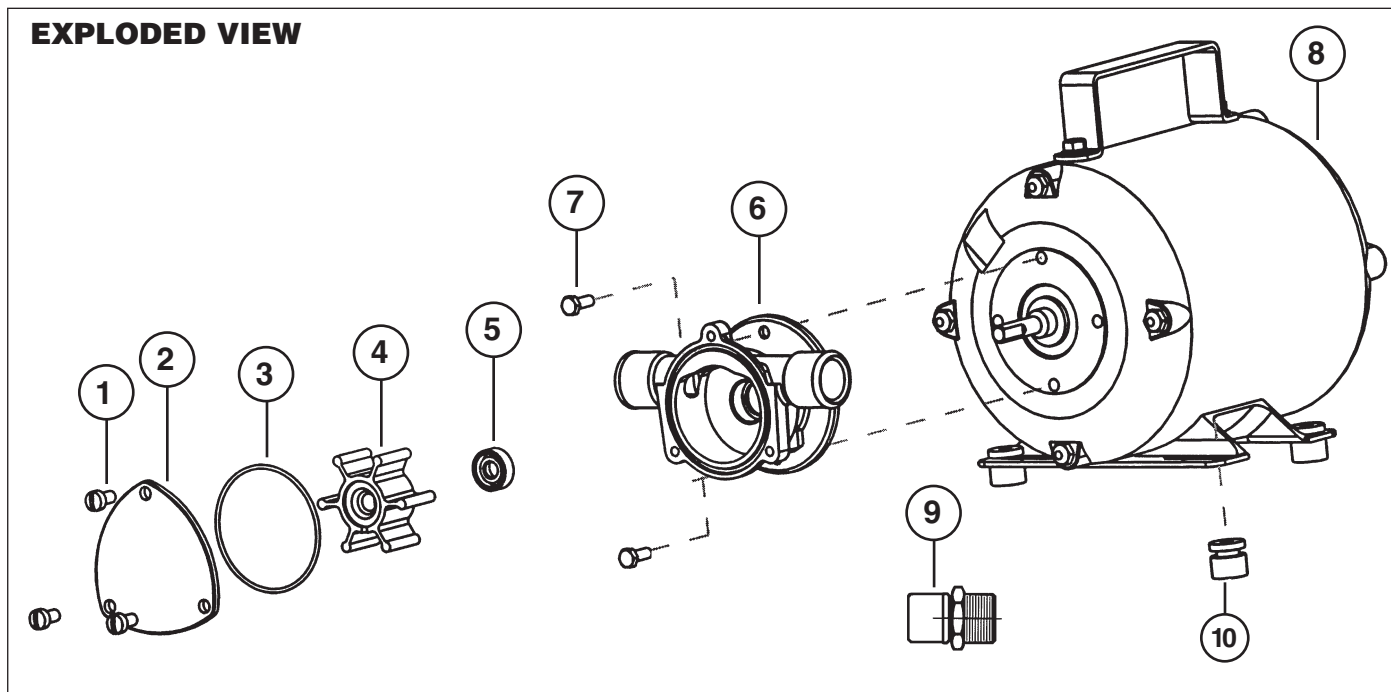
SERVICE INSTRUCTIONS**DISASSEMBLY**

Do not service with power connected. Refer to Exploded View on the following page.

1. Remove end cover screws (1) end cover (2), and O-ring (3).
2. Remove impeller (4).
3. Loosen and remove the two slotted hex screws (7) that attach pump body (6) to motor (8).
4. Disengage the shaft seal (5) from the seal bore using a 1/2" diameter dowel. Push the shaft seal from the motor-side of the pump body.
5. Do not tamper with or disassemble the motor.

ASSEMBLY

1. Lubricate seal (5) with water. Position seal in bore with hollowed-out side of lip seal pointing toward the impeller bore. Using a 1/2" dowel, push seal into bore until it contacts the bottom.
2. Lubricate motor shaft and install body (6) on motor.
3. Lubricate impeller bore. Align impeller (4) and motor shaft flats. Install impeller with a clockwise motion.
4. Install O-ring (3), end cover (2) and screws (1).



PARTS LIST

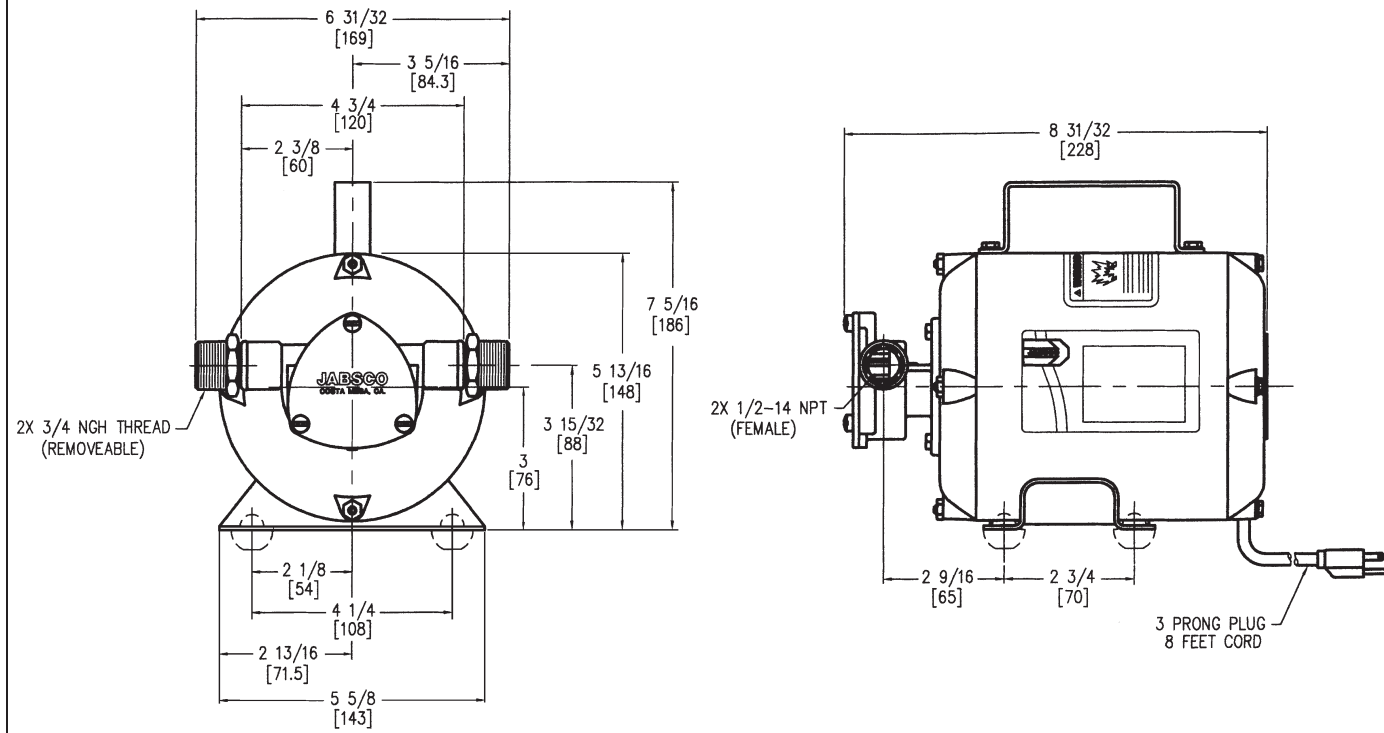
| Key | Description | Kit No. |
|-----|----------------------------------|------------|
| 1 | End Cover Screw Kit (4 per kit) | 91004-0090 |
| 2 | End Cover | 18647-0000 |
| 3 | O-Ring* | 18753-0660 |
| 4 | Impeller* : Neoprene | 7273-0001 |
| | Nitrile | 7273-0003 |
| | Viton | 17273-0004 |
| 5 | Lip Seal* : Nitrile | 18753-0384 |
| | Viton | 18753-0385 |
| 6 | Body | 18645-0000 |
| 7 | Screws Pump-to-Motor (3 per kit) | 98019-0020 |
| 8 | Motor: | |
| | 18610-0001 | 18740-0000 |
| | 18610-0003 | 18740-0000 |
| | 18610-0004 | 18740-0000 |
| | 18610-0271 | 18742-0000 |
| | 18610-0273 | 18742-0000 |
| | 18610-0274 | 18742-0000 |

* PARTS SUPPLIED IN SERVICE KIT

| Key | Description | Kit No. |
|-----|---|------------|
| 9 | 3/4" Male Garden Hose Adapter (2 per kit) | 18753-0103 |
| 10 | Rubber Bumper (4 per kit) | 92900-0020 |
| | Service Kits For: | |
| | 18610-0001 | 90061-0032 |
| | 18610-0271 | 90061-0032 |
| | 18610-0003 | 90061-0033 |
| | 18610-0273 | 90061-0033 |
| | 18610-0004 | 90061-0034 |
| | 18610-0274 | 90061-0034 |
| | Replacement Pump Heads For: | |
| | 18610-0001 | 9190-1001 |
| | 18610-0271 | 9190-1001 |
| | 18610-0003 | 9190-1003 |
| | 18610-0273 | 9190-1003 |
| | 18610-0004 | 9190-1004 |
| | 18610-0274 | 9190-1004 |

DIMENSIONAL DRAWING

Inches (Millimeters)



| TOTAL HEAD | | | | CAPACITY | | | | | | | |
|------------|--------------------|------|--------|--------------------------|------|--------------------------|------|--------------------------|------|--|--|
| P.S.I. | Kg/cm ² | Feet | Meters | 18610-0001 18610-0271 | | 18610-0003 18610-0273 | | 18610-0004 18610-0274 | | | |
| | | | | Gpm | Lpm | Gpm | Lpm | Gpm | Lpm | | |
| 4.3 | 0.3 | 10 | 3.1 | 6.5 | 24.5 | 6.3 | 23.7 | 6.0 | 22.8 | | |
| 8.7 | 0.6 | 20 | 6.1 | 6.0 | 22.8 | 5.6 | 21.3 | 5.4 | 20.3 | | |
| 13.0 | 0.9 | 30 | 9.1 | 5.3 | 20.0 | 4.7 | 17.9 | 4.6 | 17.4 | | |
| 17.3 | 1.2 | 40 | 12.2 | 4.2 | 15.8 | | | | | | |

Typical performance in US gallons per minute and liters per minute pumping water. Operation in the shaded area is not recommended.

Jabsco



THE PRODUCTS DESCRIBED HEREIN ARE SUBJECT TO THE JABSCO ONE YEAR LIMITED WARRANTY, WHICH IS AVAILABLE FOR YOUR INSPECTION UPON REQUEST.

U.S.A.
Jabsco
1485 Dale Way, P.O. Box 2158
Costa Mesa, CA 92628-2158
Tel: 714.545.8251
Fax: 714.957.0609

UNITED KINGDOM
Jabsco
Bingley Road, Hoddesdon
Hertfordshire EN11 0BU
Tel: +44 (0) 1992 450145
Fax: +44 (0) 1992 467132

CANADA
Fluid Products Canada
55 Royal Road
Guelph, Ontario N1H 1T1
Tel: (519) 821.1900
Fax: (519) 821.2569

JAPAN
NHK Jabsco Company Ltd.
3-21-10, Shin-Yokohama
Kohoku-Ku, Yokohama, 222
Tel: 045.475.8906
Fax: 045.475.8908

GERMANY
Jabsco GmbH
Oststrasse 28
22840 Norderstedt
Tel: +49-40-53 43 73 -0
Fax: +49-40-53 53 73 -11