

JABSCO

a xylem brand

FLANGEMOUNT 3" BLOWER**115 VOLT AC****FEATURES**

- Tough Reinforced Plastic Housing
- Continuous-Duty Motor with Thermal Overload Protection
- Mounts To Any Flat Surface
- Slip-On Inlet Ducting Connection
- Efficient High Volume Air Flow
- Low Current Draw
- Corrosion-Resistant Materials Throughout

SPECIFICATIONS**Air Flow:** 100ft³/min. (2,8m³/min.)**Voltage:** 115 Vac**Fuse Size:** 0.75 Amp AGC (optional)**Weight:** 5 lb (2,3 kg)**APPLICATION**

The Jabsco 115 Vac blower is ideal for ventilating cabin odors which may be present in galleys, heads or locker areas. It may also be used for engine room ventilation on vessels with diesel powered engines only. **THIS BLOWER IS NOT IGNITION PROTECTED. DO NOT USE TO EXHAUST FLAMMABLE VAPORS SUCH AS GASOLINE FUMES OR MOUNT IN AN AREA WHICH MAY CONTAIN FLAMMABLE VAPORS.** The blower is also suitable for general air circulation when 115 Vac power consumption is preferred.

INSTALLATION


MOUNTING: The blower housing flange should be mounted on a flat bulkhead surface. Selection of a dry cool location will prolong motor life. If mounting blower in a location where spray into discharge port may occur, mount blower with motor in a vertical orientation (see installation drawing). When location is selected, cut a 2-3/4" hole through bulkhead to align with discharge port of blower. Secure discharge port flange to bulkhead using #10 screws and flat washers. Tighten screws evenly to avoid flange damage. If discharged air is to be directed to a vent by means of 3" ducting, install an outlet collar number 34856-0000 on the side of the bulkhead opposite blower (as illustrated in installation drawing). 3" flexible ducting number 34959-0100 is easy to cut and install providing a simple means of directing air to the appropriate discharge vent. Use a suitable vent fitting so blower static pressure will not be affected by external wind conditions. If 3" ducting is used to direct air to the blower inlet, route the ducting with as few bends as possible.



Model 34744-0000

For an exposed inlet, the chrome plated ventilator intake screen number 34764-0000 provides a safe and attractive means of protecting the inlet. The blower may also be mounted with the inlet port through a bulkhead by using intake collar number 34943-0000 to convert the 3" intake port to a flange configuration.

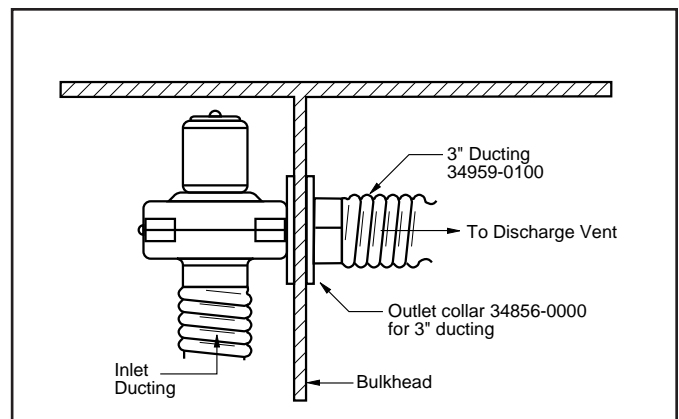
NOTICE: Blower should be mounted away from extreme heat

	<p>WARNING Explosion hazard. Motor can spark. Explosion & death can occur. Do not use where flammable vapors are present.</p>
---	--

(more than 130°F) to prevent distortion of blower wheel or housing.

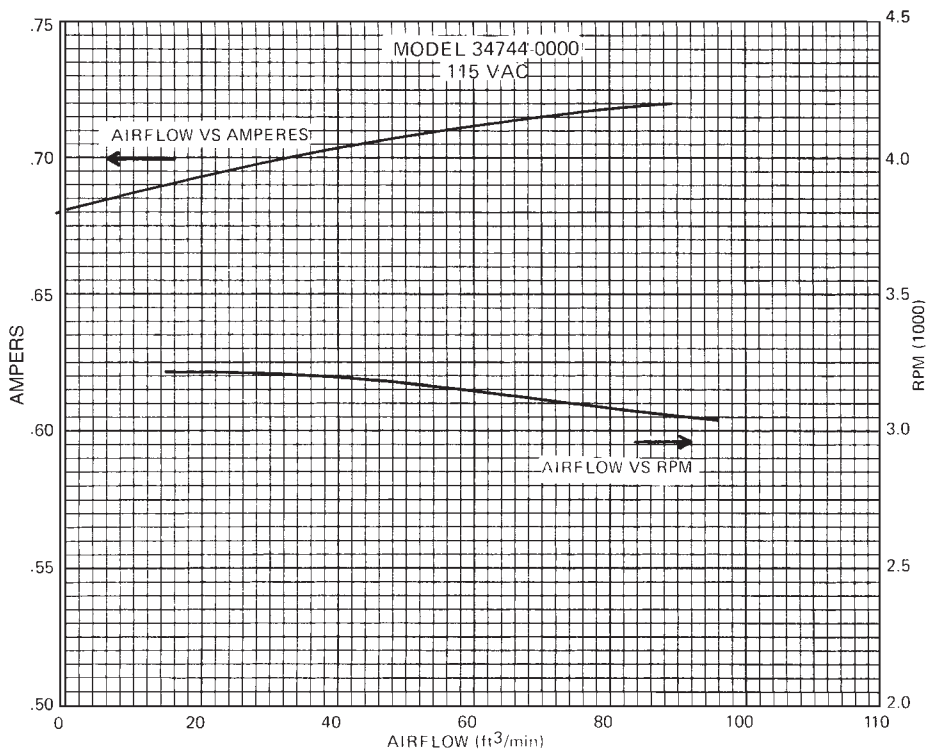
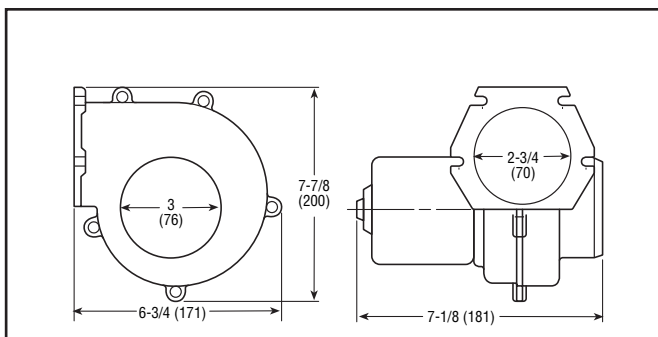
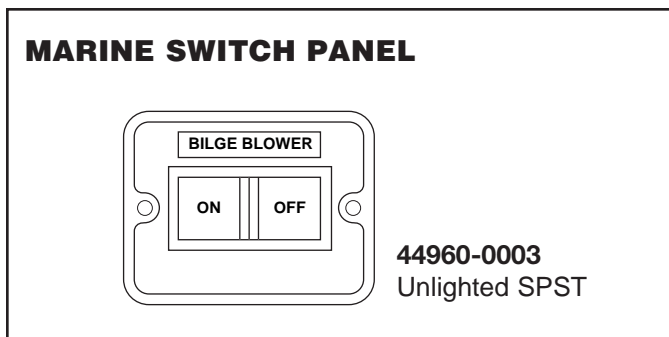
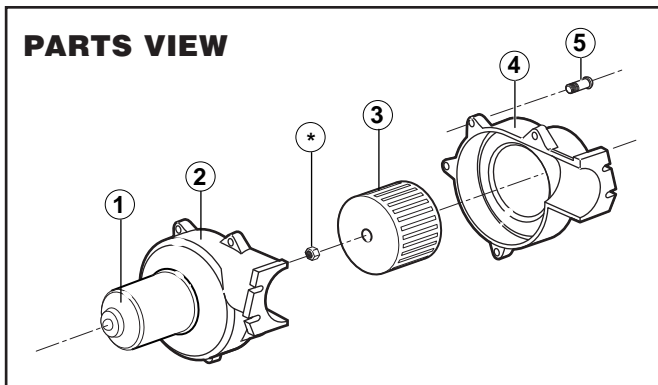
WIRING: All wiring should be done by a qualified electrician and conform with USCG regulations. A minimum of 16 gauge THW wire should be used for lengths of up to 50 feet from the power source. The ungrounded (black) conductor may include a 0.75 Amp AGC fuse installed near the power source to protect the circuit.

A switch of minimum 5 Amp rating may also be installed in ungrounded conductor (between fuse and blower) to control blower operation. The neutral conductor (white) should be connected directly from the neutral buss to the blower motor. A separate ground wire (green) should be secured to the ground-



PARTS LIST

Key	Description	Qty.	Part Number
1	Motor Kit 115 Vac with 2 Mounting Nuts	1	34848-0000
2	Blower Housing	1	35774-0000
3	Blower Wheel	1	34742-0001
4	Blower Housing	1	35775-0000
5	Screw 8 x 5/8 SS Self Tapping Pan Head	5	35508-0000



THE PRODUCT DESCRIBED HEREIN IS SUBJECT TO THE JABSCO ONE YEAR LIMITED WARRANTY, WHICH IS AVAILABLE FOR YOUR INSPECTION UPON REQUEST.

www.xylemflowcontrol.com

Jabco, 100 Cummings Center, Ste. 535-N, Beverly, MA 01915
Tel: +1 978 281 0440 Fax: +1 978 283 2619

Jabco, Bingley Road, Hoddesdon, Hertfordshire, EN11 0BU
Tel: +44 (0) 1992 450 145 Fax: +44 (0) 1992 467 132

NHK Jabco Co Ltd, 3-21-10, Shin - Yokohama Kohoku-ku, Yokohama 222
Tel: +81 (0) 45 475 8906 Fax: +81 (0) 45 475 8908

Jabco GmbH, Oststraße 28, 22844 Norderstedt
Tel: +49 (0) 40 53 53 73 0 Fax: +49 (0) 49 53 53 73 11

Jabco Italia, s.r.l., Via Tommaseo, 6, 20059 Vimercate, Milano
Tel: +39 039 685 2323 Fax: +39 039 666 307

USA

UK

JAPAN

GERMANY

ITALY



a xylem brand