



Models 35760-Series-Flangemount 35770-Series-Flexmount

a xylem brand

CONTINUOUS DUTY 4" BLOWER

FEATURES

- Extended Life 5,000 Hour Motor
- Tough Reinforced Thermoset Plastic Housing
- Mounts To Any Flat Surface
- Slip-On Inlet Ducting Connection
- Efficient High Volume Air Flow
- Low-Current Draw
- Corrosion-Resistant Materials Throughout
- N.M.M.A. Type Accepted
- Meets USCG Regulation 183.410 and ISO 8846 MARINE for Ignition Protection
- Complies with ISO 9097 MARINE
- **CE** Conforms with BSEN 50081-2 for Suppression of Electro-magnetic interference

SPECIFICATIONS - Flangemount

Model CE	Air Flow	Voltage	Amps	Fuse Size	Weight lb (kg)
35760-0092	250 CFM (7,0 m ³ /min)	12 Vdc	11	15	6 (2.72)
35760-0094	250 CFM (7,0 m ³ /min)	24 Vdc	6	10	

SPECIFICATIONS - Flexmount

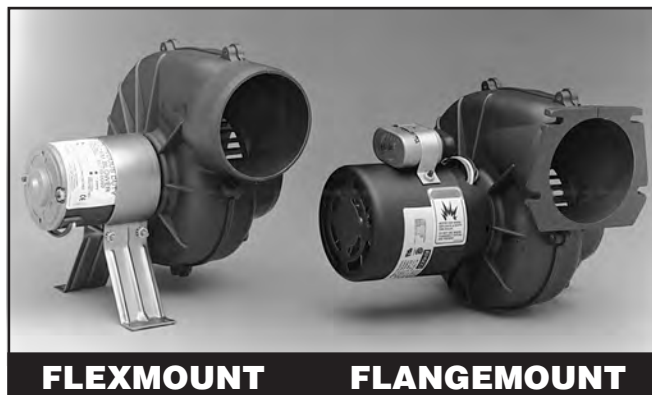
Model CE	Air Flow	Voltage	Amps	Fuse Size	Weight lb (kg)
35770-0092	250 CFM (7,0 m ³ /min)	12 Vdc	11	15	7 (3.18)
35770-0094	250 CFM (7,0 m ³ /min)	24 Vdc	6	10	

INSTALLATION

INSTALLATIONS MUST MEET APPLICABLE SECTIONS OF TITLE 33, PART 183; SUBPART K, USCG VENTILATION REGULATIONS.

FLANGEMOUNT MOUNTING

Mount blower on flat bulkhead surface in highest part of compartment free from spray or deck wash. Cut a 3-5/8" hole in bulkhead and secure blower with washers and No. 10 screws (NOTICE: Tighten screws evenly to avoid flange damage). Use a suitable discharge fitting so that static pressure of blower will not be affected by change in wind direction. Route inlet ducting with as few bends as possible to lower 1/3 of the bilge compartment where vapors are likely to accumulate. Be sure ducting is positioned below top of engine stringers but not so low as to become submerged in bilge water. Locate pickup to take advantage of natural air flow direction.



Models 35760-Series, 35770-Series

FLEXMOUNT MOUNTING

Mount blower on flat bulkhead surface in highest part of compartment free from spray or deck wash. Blower may be rotated in mounting bracket to facilitate the shortest route of ducting. Use a suitable discharge fitting so that static pressure of blower will not be affected by change in wind direction. Route inlet ducting with as few bends as possible to lower 1/3 of the bilge compartment where vapors are likely to accumulate. Be sure ducting is positioned below top of engine stringers but not so low as to become submerged in bilge water. Locate pickup to take advantage of natural air flow direction.

NOTICE: Blowers should be mounted away from extreme heat (more than 130°F) to prevent distortion of blower wheel or housing.

OPERATION: See following warning placard statement:

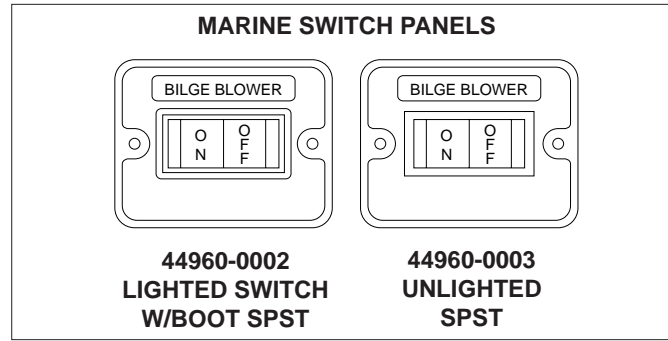
<p>WARNING</p>	<p>Explosion hazard. Gasoline vapors can explode. Before starting engine, operate blower for 4 minutes and check engine compartment bilge for gasoline vapors. Run blower below cruising speed. Failure to do so can result in injury or death.</p>
-----------------------	--

THE "WARNING" PLACARD SUPPLIED WITH BLOWER MUST BE MOUNTED ADJACENT TO ENGINE IGNITION SWITCHES (ALL LOCATIONS) TO COMPLY WITH TITLE 33, PART 183; SUBPART K, USCG VENTILATION REGULATIONS. *

*Additional warning placards are available from factory by requesting form 43003-0418.

WIRING:

Use stranded copper wire. For lengths up to 25 feet (7,6 m) from power source: Use 12 gauge wire for 12 volt and 14 gauge wire for 24 volt. Use larger wire for longer lengths. Use a 10 amp rated on-off switch in positive side of circuit (Model 44960-0002). Circuit must be protected with a fuse. Suggested fuse sizes are listed in the specification table.



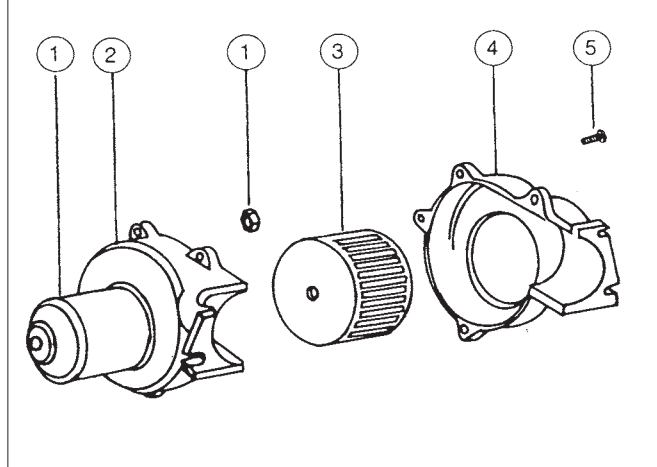
PARTS LIST - Flangemount

Key	Part Description	Part Number	Qty.
1	Motor Kit (includes mounting nuts) 12 Vdc 24 Vdc	18753-0605 18753-0606	1
2	Blower Housing	35706-0000	1
3	Blower Wheel	35714-0000	1
4	Blower Housing	35705-0000	1
5	Screw 8 x 5/8 SS Self Tapping Pan Head	35508-0000	5

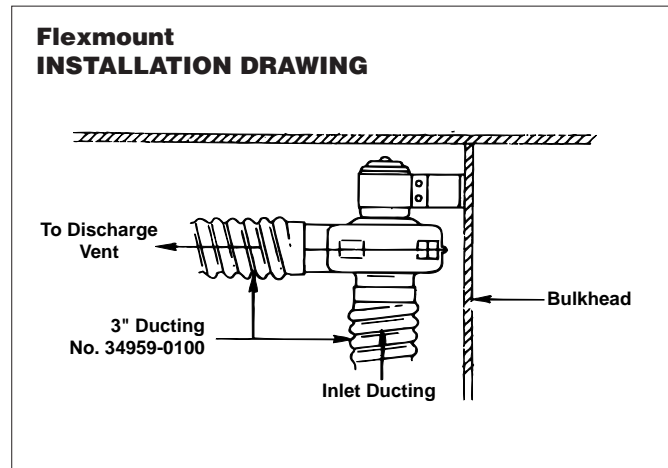
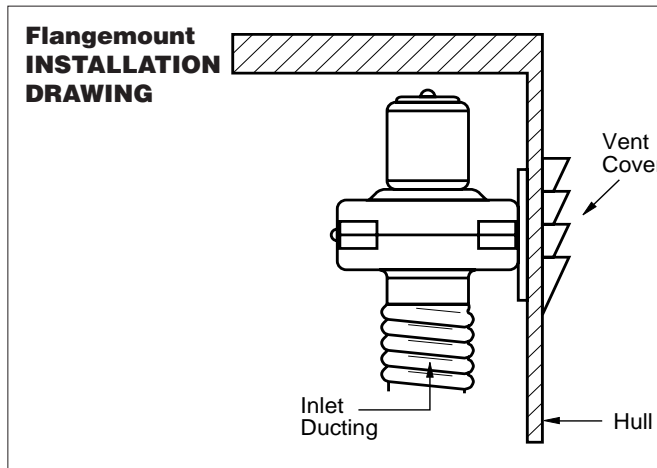
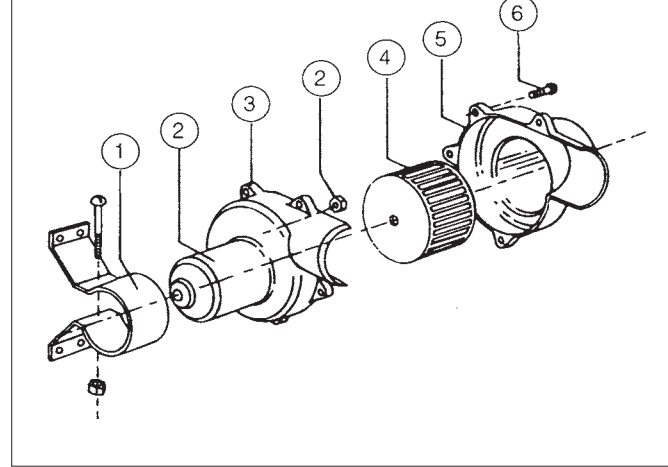
PARTS LIST - Flexmount

Key	Part Description	Part Number	Qty.
1	Bracket Assembly (includes screw & nut)	43899-0000	1
2	Motor Kit (includes mounting nuts) 12 Vdc 24 Vdc	18753-0605 18753-0606	1
3	Blower Housing	35645-0000	1
4	Blower Wheel	35714-0000	1
5	Blower Housing	35644-0000	1
6	Screw 8 x 5/8 SS Self Tapping Pan Head	35508-0000	5

PARTS VIEW - Flangemount

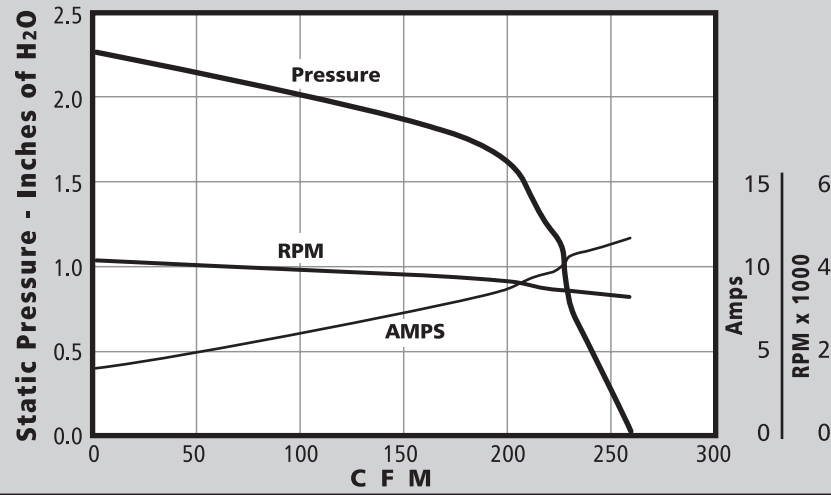


PARTS VIEW - Flexmount

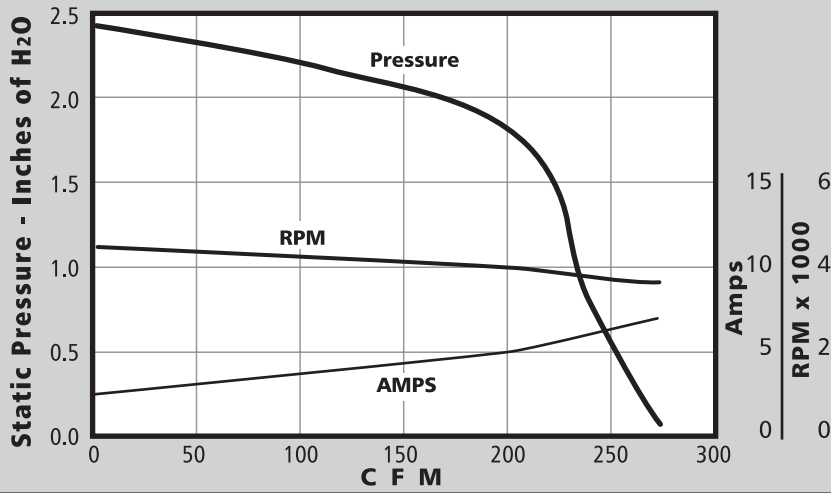


BLOWER PERFORMANCE

Tested At 12.8 VDC Flexmount 35770-0092
Flangemount 35760-0092

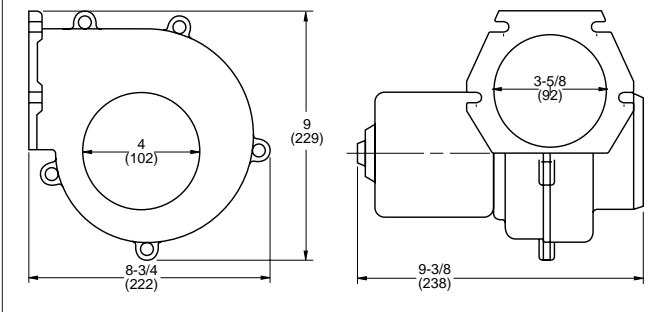


Tested At 25.6 VDC Flexmount 35770-0094
Flangemount 35760-0094



DIMENSIONAL DRAWING - Flangemount

Inches (Millimeters)



DIMENSIONAL DRAWING - Flexmount

Inches (Millimeters)

