



Jabasco Pumps 59451-1012

www.PumpAgents.com - Click here for Pricing/Ordering for Pumps and Parts

JABSCO **ULTRA-MAX**

MODELS: 59451-0012
59451-0024
59451-1012
59451-1024



FEATURES:

Fully assembled water pressure set with pump, pressure switch, accumulator tank and pumpguard strainer.

- Ideal for up to four outlets.
- All units mounted on one board for rapid and easy installation by boatbuilder and boatowner alike.
- Self-priming to 1.5m (5ft).
- Run dry ability.
- Smooth even flow.
- Simple and low cost installation.
- Thermal overload protection.
- Pressure switch cut-in 0.7 bar (10 psi) cut-out 1.4 bar (20 psi). (59451-0012 / -0024)
- Pressure switch cut-in 1.4 bar (20 psi) cut-out 2.8 bar (40 psi). (59451-1012 / -1024)
- ISO 8846 MARINE (Ignition Protection).
- Meets USCG Electrical Requirements including Ignition Protection.
- Connections for 13mm (½") id hose and ½" threaded (QEST) fittings.
- Flow of 14.4 lpm (3.4 gpm).
- Shipping weight 3 kg (6.6 lb).

INSTALLATION INSTRUCTIONS:

The Ultra-Max should be bolted securely to a flat surface in any suitable location within the vessel where it remains accessible for routine maintenance, taking care not to over compress the mounting feet. The unit should be installed within the pipework system after the water tank and before the pipeline divides to serve the hot water heater or other outlets. Connect the pipe from the water tank to the inlet port on the Pumpguard. Connect the outlet pipework to the discharge port on the Accumulator Tank.



Explosion hazard. Do not pump gasoline, solvents, thinners or other flammable liquids. To do so can cause an explosion resulting in injury or death.

ELECTRICAL CONNECTIONS:

Using the table below select the correct cable size. Cable run is the total length of the cable from the positive battery terminal to the pump and back to the negative terminal.

Model No.	Voltage	Amp Draw	Maximum Fuse Size	Cable Length	Minimum Wire Size
59451-0012 / -1012	12V	6 amp	10 amp	Up to 6m	2.5mm ²
				6 - 11m	4mm ²
				Over 11m	6mm ²
59451-0024 / -1024	24V	4 amp	6 amp	Up to 6m	1.5mm ²
				6 - 11m	2.5mm ²
				Over 11m	4mm ²

The electrical circuit should be protected with an overcurrent protection device in the positive lead. The red quick fix terminal on the board is positive, Black quick fix terminal is negative.

OPERATION INSTRUCTIONS:

- Check level of water in tank.
- Open all faucets hot and cold.
- Switch pump on and wait for hot water tank and water lines to fill.
- Close each faucet as flow becomes steady and free of air (Close cold water faucet first). Pump should shut off soon after closing last faucet.
- Pump is now ready for automatic operation. It will start when faucet is opened and stop when faucet is closed.
- If pump will be inoperative for a considerable time, turn off circuit to pump and bleed system by opening faucets.
- It is advisable to run the pump for 2 minutes on first installation to flush fresh water through the pump.



Motor case will get hot. Prolonged contact during operation may cause a burn.

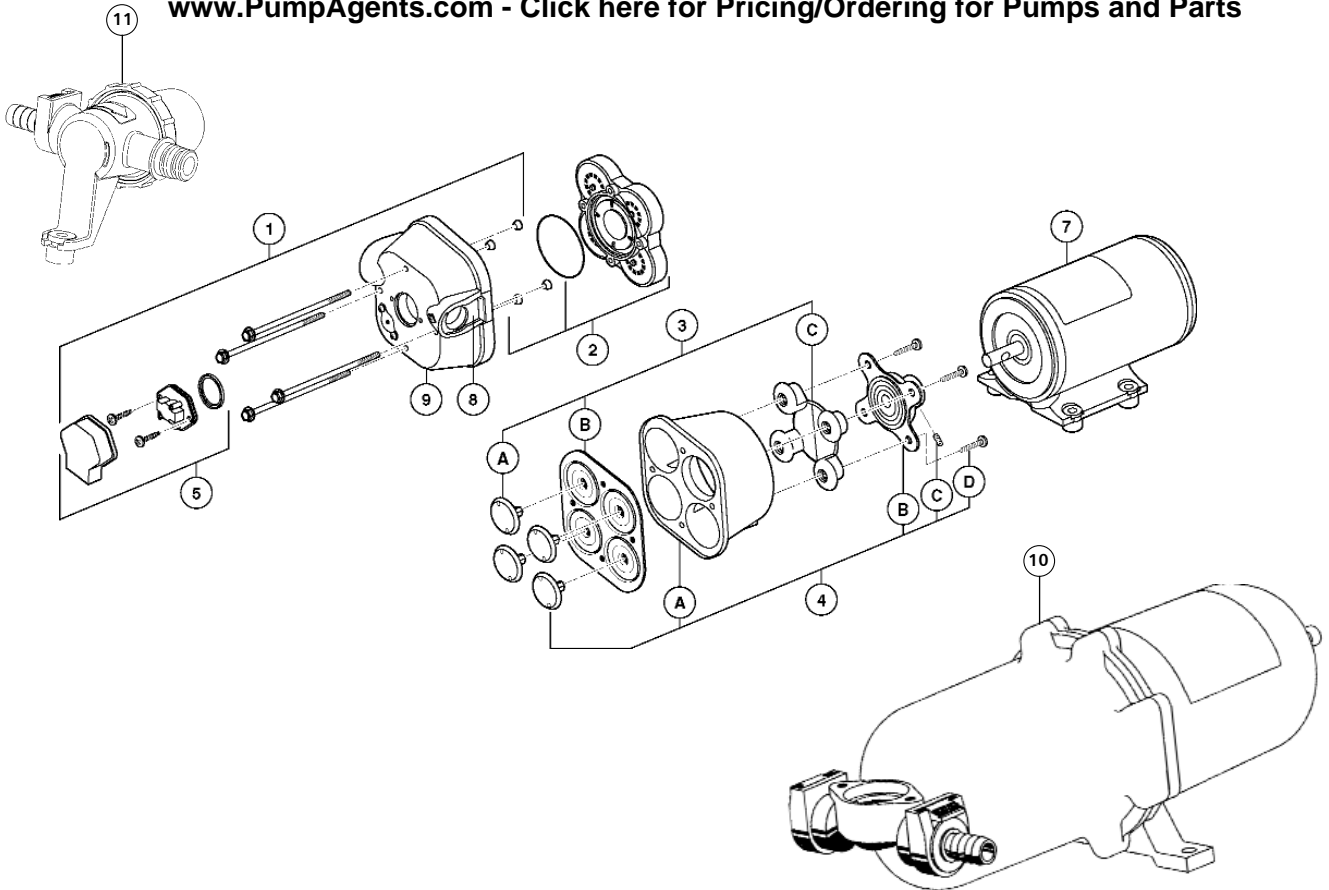


Do not overpressurise tank, maximum working pressure is 8.6 bar (125 psi).



EXPLODED VIEW & PARTS LIST Jabsco Pumps 59451-1012

www.PumpAgents.com - Click here for Pricing/Ordering for Pumps and Parts



WEIGHT: 3kg (6.6lb)

KEY	DESCRIPTION	QTY	PART NUMBER
1	Upper Housing	1	18910-4040
2	Valve Kit	1	18911-7030
3	Diaphragm Kit	1	18912-3040
4	Lower Housing Kit	1	18915-9002
5	Pressure Switch	1	18916-0040
6	Service Kit	1	18920-9043
7	Motor Kit 12V CE	1	18919-0131
8	Side Clips	1	30648-1000
9	Pump Head Assembly	1	18914-6340
10	Accumulator Tank	1	30573-0000
11	Pump Guard	1	36400-9000
*	Mounting Tray	1	59411-0000
Service Kit includes 2, 3, 4B, C, D & 8			
* ITEMS NOT SHOWN			

Jabsco



ITT Industries

Jabsco, 20 Icon, Foothill Ranch, CA 92610

Tel : +1 949 609 5106

Fax : +1 949 859 1254

USA

Jabsco, Bingley Road, Hoddesdon, Hertfordshire, EN11 0BU

Tel : +44 (0) 1992 450 145

Fax : +44 (0) 1992 467 132

UK

Fluid Products Canada, 55 Royal Road, Guelph, Ontario N1H 1T1

Tel : +1 519 821 1900

Fax : +1 519 821 5316

CANADA

NHK Jabsco Co Ltd, 3-21-10, Shin - Yokohama, Kohoku-ku, Yokohama 222

Tel : +81 (0) 45 475 8906

Fax : +81 (0) 45 475 8908

JAPAN

Jabsco GmbH, Oststraße 28, 22844 Norderstedt

Tel : +49 (0) 40 53 53 73 0

Fax : +49 (0) 40 53 53 73 11

GERMANY

Warranty: All products of the company are sold and all services of the company are offered subject to the company's warranty and terms and conditions of sale, copies of which will be furnished upon request.