

Little GIANT[®]

Pump Company

PES-500-PW SERIES



Features

- Energy Efficient
- Environmentally safe, oil-less
- Corrosion resistant body
- 15' power cord
- 10.2' maximum lift
- 45 watts
- Discharge accepts 3/4" I.D. Tubing

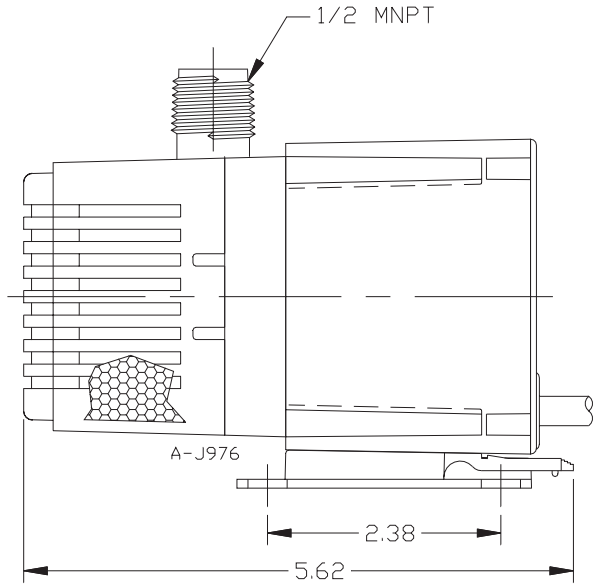
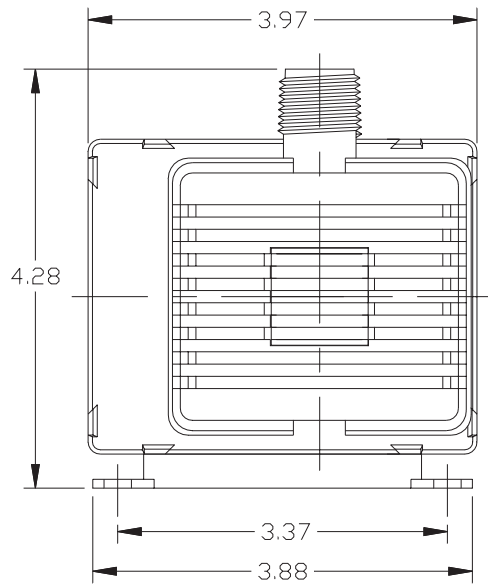
Construction

- Motor — Wet-Rotor (Hysteresis) Epoxy Encapsulated
- Intermittent Liquid Temp. up to — 120° F
- Intake — 1/2" FNPT
- Discharge — 1/2" MNPT
- Housing — Polyester
- Cover — Glass-filled Nylon
- Volute — Glass-filled Nylon
- Impeller — Glass-filled Nylon
- Screen — ABS

This wet-rotor pump, often referred to as a magnetic-drive pump by other manufacturers, utilizes an epoxy-encapsulated motor and plastic housing. A permanent magnet is attached to the impeller. The magnet acts as the rotor would in a conventional motor. The water being pumped surrounds the rotor, thus the term “wet-rotor”. It is seal-less and oil-less. This pump works well in water garden, statuary, and some industrial applications. It is

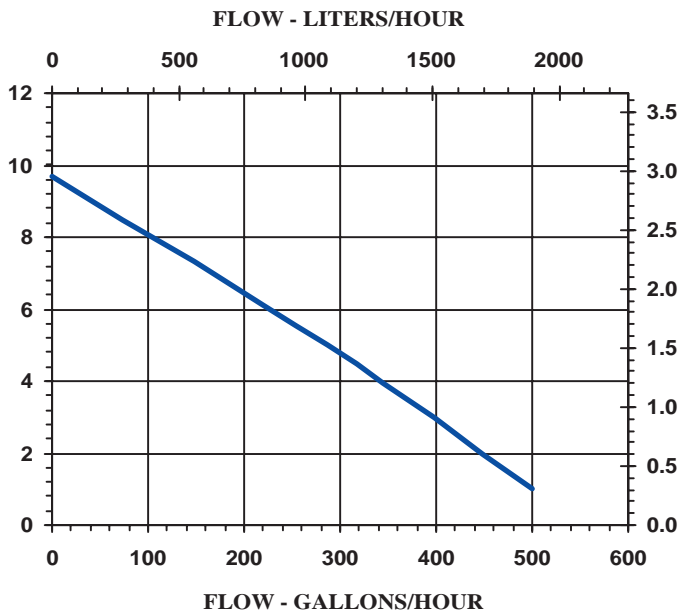
Little Giant Pump Co.

PES-500-PW SERIES



Specifications

Model No.	Item No.	Intake Size	Discharge Size	Listing(s)	HP	Volts	Hertz	Amps	Watts	Performance (GPH @ Head)		Shut Off		Pwr. Cord (ft)	Weight (Lbs.)
										1'	5'	Feet	PSI		
PES-500-PW	566655	1/2" FNPT	1/2" MNPT	UL/CSA	N/A	115	60	0.8	45	500	286	9.7	4.2	15	4.33



Replacement Parts

Screen	119910
Plug, Screen	119911
Filter Media	119913
Base	119810
Volute	119310
Impeller Assy.	599093
O-ring	924050

For technical advice or service please take your pump into your local pump service center.
To order pump or parts or for pricing please go to the following links :

[Little Giant Pumps Home >>](#)

[Little Giant Pumps stock list >>](#)