


**PUMP**

Type: 3 Chamber Diaphragm  
 Ports: 1/2"-14 NPSM-Male.  
 Liquid: 130 °F [54 °C] Max  
 Prime: 6 feet [1.82 M]  
 Inlet PSI: 30 PSI [2.1 Bar] Max  
 Run Dry: Yes

**ELECTRICAL**

Motor: 12VDC Permanent Magnet, Intermittent Duty  
 Protection: Thermal Overload, Automatic Restart  
 Leads: 16 AWG, 16" [40 cm] Red +, 13" [33 cm] Black -  
 Fuse: 7.5 Amp Recommended  
 Control: Adjustable Switch. Shut-Off 55 PSI [3.8 Bar] ± 5 PSI [0.4 Bar]  
 Restart 25 PSI [1.7 Bar] ± 5 PSI [0.4 Bar]

**MATERIALS**

Housing: Polypro  
 Valves: EPDM  
 Diaphragm: Santoprene  
 Hardware: Stainless Steel

**APPROVALS**

Ignition Protected, CE, ISO 8846

**WARRANTY**

3 Year Limited Warranty  
 See SB-1041 & SB-1050 For Full Warranty  
 Details

**SHIPPING**

Net Weight (Boxed): 4.8 Lb [2.2 Kg] each  
 Carton Weight: 58 Lb [26.3 Kg]  
 Carton Size: 24"L x 18"W x 11"H  
 [60.9 cm x 45.7 cm x  
 27.9 cm]

**RELATED DOCUMENTS**

Catalog: MS-030-140  
 Installation Manual: 911-740  
 Maintenance: 911-740  
 Applications Spec Guide: MS-020-005  
 Warranty: SB-1050

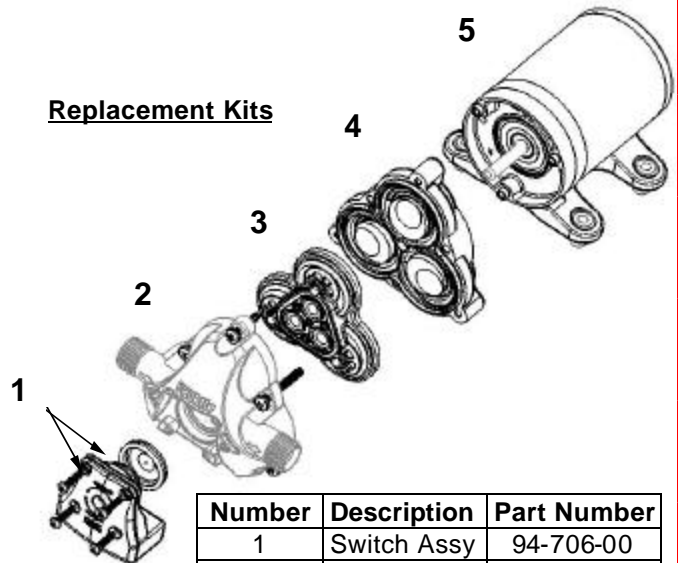
**MARINE** PRODUCT DATA SHEET

OEM: 3901-0206  
 AFTERMARKET: 3901-0216

The Next Generation SHURflo pumps guarantee quiet operation and smooth performance while providing the ultimate in durability and reliability. Designed and built specially for the harsh marine environment, the Next Generation SHURflo pumps are equipped with sealed switches and seamless e-coated motors.

**TYPICAL APPLICATIONS**

Multi-fixture marine fresh water installation. Other uses may included 12V DC pressurized water systems in cabins. This pump may be used for general water transfer. For other applications contact SHURflo.

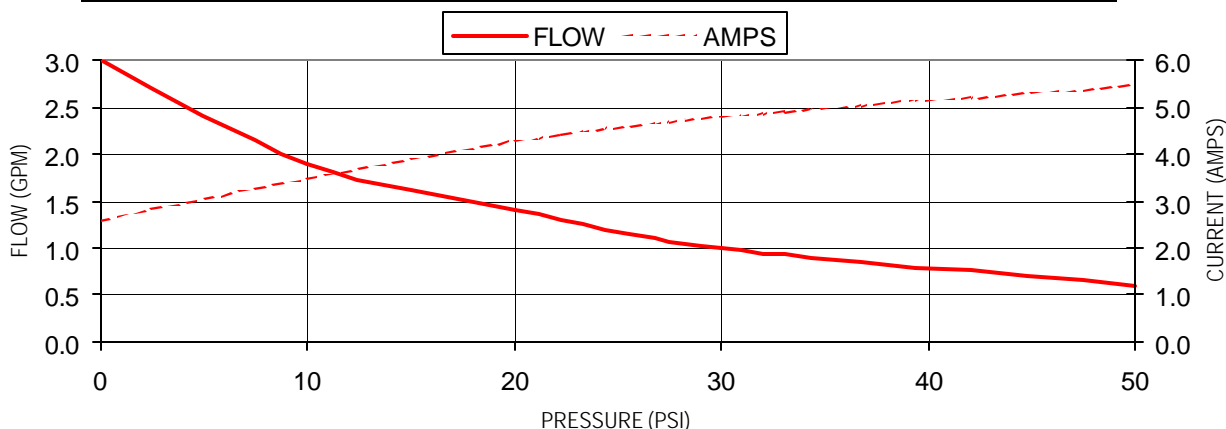
**Replacement Kits**

Number	Description	Part Number
1	Switch Assy	94-706-00
2	Upper Hsg	94-706-01
3	Valve Assy	94-706-02
4	Drive Assy	94-706-06
5	Motor	77-023-17

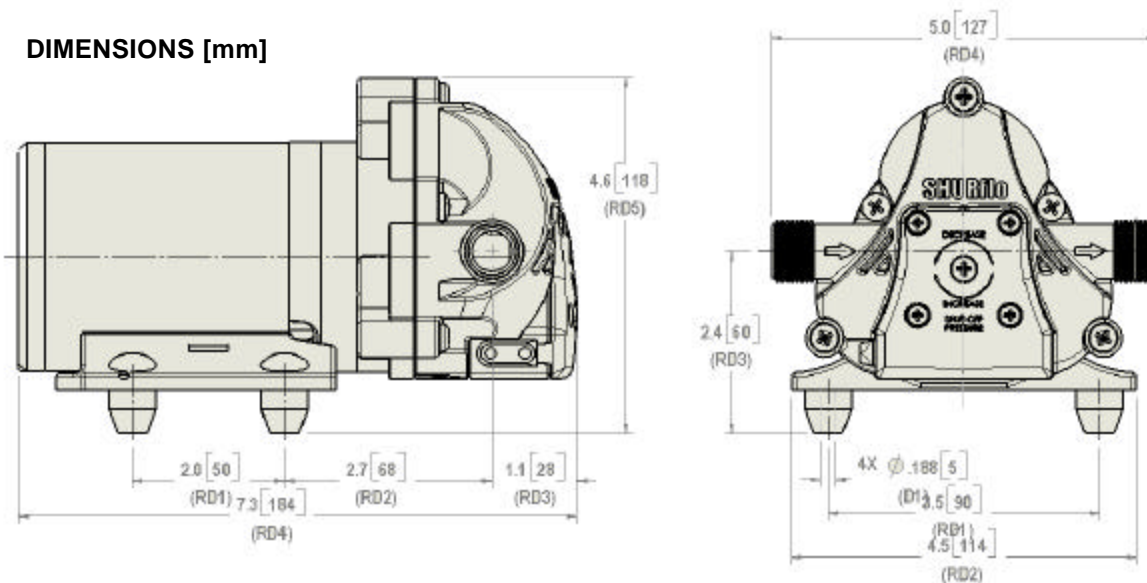


**PERFORMANCE @ 12V DC**

PRESSURE		FLOW		CURRENT
BAR	PSI	GPM	LPM	AMPS
0.0	0	3.0	11.3	2.6
0.7	10	1.9	7.2	3.5
1.4	20	1.4	5.3	4.3
2.1	30	1.0	3.8	4.8
3.4	50	.60	2.2	5.5



**DIMENSIONS [mm]**



For technical advice or service please take your pump into your local pump service center.

To order pump or parts or for pricing please go to the following links :

[Shurflo Pumps Home >>](#)

[Shurflo Pumps stock list >>](#)