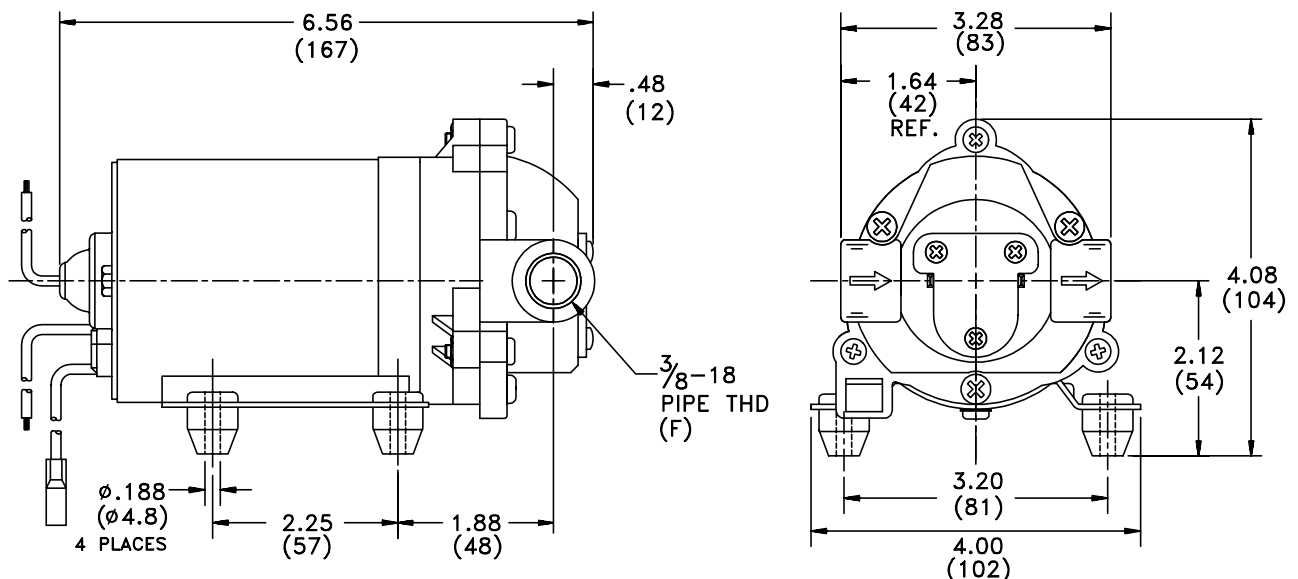
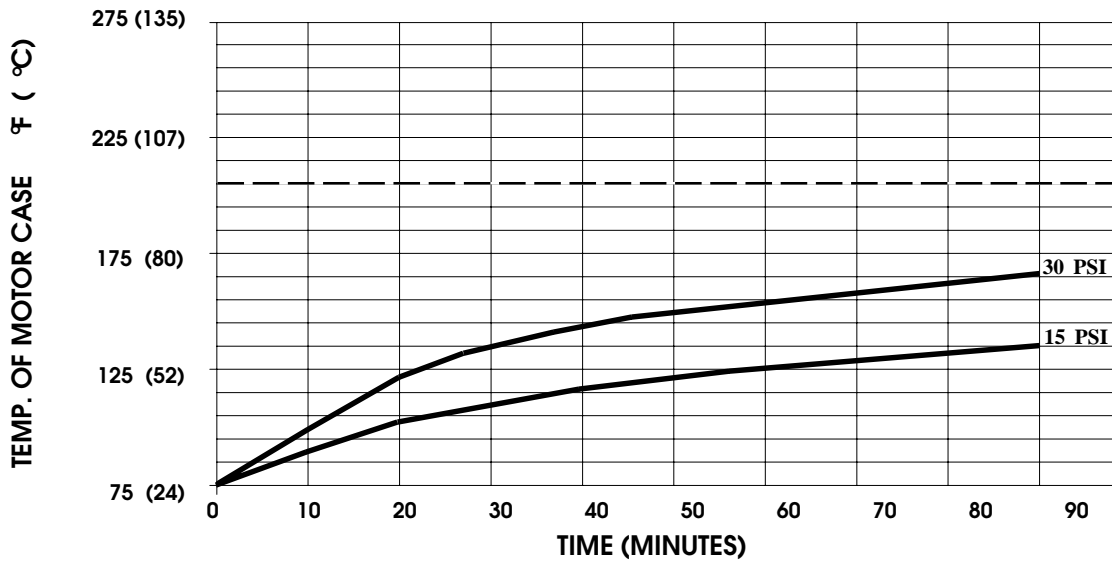


**SHURflo**<sup>®</sup>*First in Fluid Innovation***PRODUCT DATA SHEET****MODEL: 8000-533-290****SPECIFICATIONS:****MODEL NUMBER:** 8000-533-290**PUMP DESIGN:** Positive Displacement 3 Chamber Diaphragm Pump**CAM:** 3.0 Degree**MOTOR:** Permanent Magnet, P/N 11-150-00, Thermally Protected**VOLTAGE:** 115 VAC Nominal**PRESSURE SWITCH:** None**LIQUID TEMPERATURE:** 180 Degrees Fahrenheit (82 Degrees Centigrade) Max.**PRIME:** Self-Priming Up To 10.0 Ft. Vertical,  
Max. Inlet Pressure 30 PSI (2.1 Bar)**PORTS:** 3/8"-18 NPT Female**MATERIAL OF CONSTRUCTION:****PLASTICS-** Nylon**VALVES-** Viton**DIAPHRAGM-** Santoprene**FASTENERS-** Zinc Plated Steel**NET WEIGHT:** 3.85 Lbs (1.75 Kg)**DUTY CYCLE:** Intermittent (See Temperature Rise Chart)**TYPICAL APPLICATIONS:** Soil Extraction**BYPASS:** 60 PSI Max.**APPROVALS:** UL/CSA Recognized Component**DIMENSIONS:**

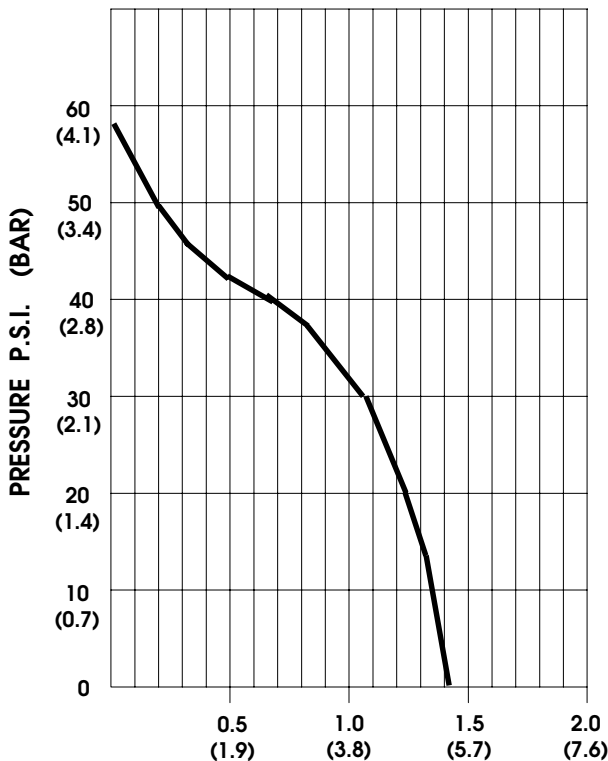
**TEMPERATURE RISE**



THIS GRAPH IS FOR USE AS A DESIGN GUIDE. IT IS BASED ON RUNNING CONTINUOUSLY WITH AN AMBIENT TEMPERATURE OF 75 ° F IN STILL AIR. THE THERMAL BREAKER WILL OPEN WHEN THE CASE TEMPERATURE REACHES 190 ° F.

[- - - - - TRIP POINT OF THERMAL PROTECTOR]

**TYPICAL PERFORMANCE**



| PRESSURE (PSI) | FLOW (GPM/LIT) | RPM MIN/MAX | CURRENT (AMPS) | VOLTAGE (VOLTS) |
|----------------|----------------|-------------|----------------|-----------------|
| OPEN           | 1.40/5.3       | 2221/2245   | 0.28           | 115VAC          |
| 10             | 1.36/5.1       | 2100/2125   | 0.34           | "               |
| 20             | 1.21/4.6       | 1960/1990   | 0.41           | "               |
| 30             | 1.05/4.0       | 1850/1870   | 0.46           | "               |
| 40             | 0.65/2.5       | 1770/1870   | 0.51           | "               |
| 50             | 0.19/0.7       | 1700/1800   | 0.54           | "               |

FLOW - GALLONS PER MINUTE (LITERS PER MINUTE)

-SPECIFICATIONS SUBJECT TO CHANGE WITHOUT NOTICE.

For technical advice or service please take your pump into your local pump service center.

To order pump or parts or for pricing please go to the following links :

[Shurflo Pumps Home >>](#)

[Shurflo Pumps stock list >>](#)